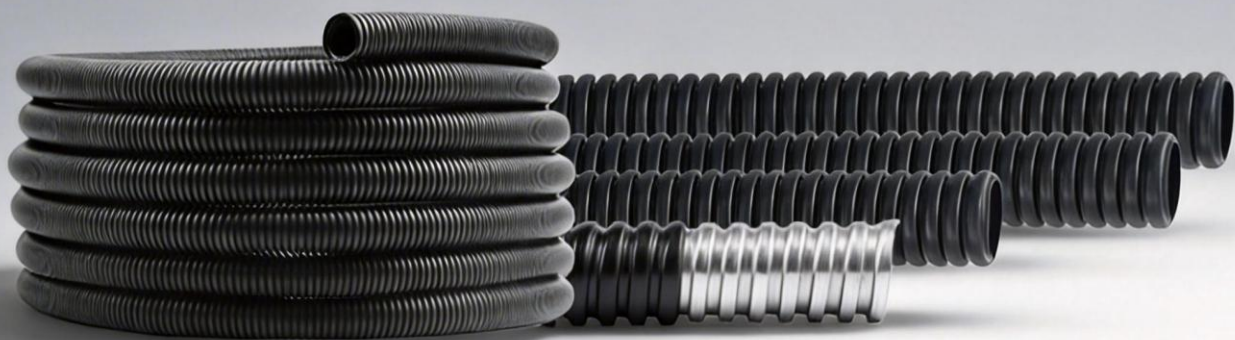


# 管件接头系列

为中大型智能装备制造企业提供一站式配电器材解决方案

Wenbuluo

2026 V.1.0



200+权威认证筑就品质长城

ISO9001质量管理体系 | 高新技术认证 | CE/UL/ROHS国际认证矩阵



## 管件接头系列



E-01  
尼龙电缆防水接头(连体)



E-02  
尼龙电缆防水接头(分体)



E-03  
多孔扁孔尼龙电缆接头



E-04  
防水波纹管接头



E-05  
90度波纹管快速接头



E-06  
尼龙软管支架



E-07  
黄铜电缆接



E-08  
EMC金属电缆接头



E-09  
多孔扁孔金属电缆接头



E-10  
直通式黄铜电缆接头



E-11  
不锈钢电缆接头



E-12  
防水金属软管接头



E-13  
PA尼龙软管(阻燃、非阻燃)



E-14  
PP尼龙软管(阻燃、非阻燃)



E-15  
PE尼龙软管(阻燃、非阻燃)



C-16  
PVC包塑金属软管(阻燃、非阻燃)



C-17  
防水波纹管接头



C-18  
高抗拉波纹管接头



E-19  
超级抗拉快速波纹管接头



E-20  
尼龙材质金属软管接头



E-21  
金属电缆波纹管接头



E-22  
内螺纹防水波纹管接头



E-23  
90度防水波纹管接头



E-24  
90度尼龙电缆防水接头(分体)



E-25  
内螺纹电缆接头



E-26  
对接式尼龙电缆接头



E-27  
夹紧圈塞棒



E-28  
电缆波纹管双固定接头



E-29  
内螺纹波纹管快速接头



E-30  
耐扭尼龙电缆接头(连体)



E-31  
耐扭尼龙电缆接头(分体)



E-32  
90度耐扭尼龙电缆接头(分体)



E-33  
尼龙螺旋式塞头



E-34  
塑料变径环



E-35  
扣式塞头



E-36  
扣式护线套



E-37  
LED光点专用M12



E-38  
船用填料函



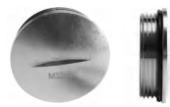
E-39  
金属变径环



E-40  
筒式金属软管接头



E-41  
六角黄铜堵盖



E-42  
圆形黄铜堵盖



E-43  
PE透明波纹管



E-44  
金属软管尾端护套

## E-01 尼龙电缆防水接头(连体)

螺牙规格：公制牙 (Metric)、PG牙、G(PF/BSP/PS)牙、NPT牙。

产品材质：A.C.F部分采用UL认可之尼龙PA66(防火等级UL94V-2)制成；  
(可定制UL认可的V-0防火等级尼龙原料)；B.D部分采用三元乙丙耐候橡胶制成；  
(可定制耐寒、耐高温橡胶；耐高酸碱、耐化学与抗腐蚀橡胶)。

保护等级：IP68-10

工作温度：静态-40℃至100℃，或瞬间可耐热至120℃；动态-20℃至80℃，或瞬间可耐热至100℃。

产品特性：特殊夹紧爪与夹紧圈之设计，夹紧电缆范围大，抗拉力特强，可防水、防尘、抗盐、耐弱酸、酒精、油、油脂及一般溶剂。  
颜色种类：黑色、灰色，其它颜色可定做。

Thread: Metric, PG, G(PF), and NPT thread

Materials: UL approved Nylon PA66(Fiammability UL94V-2) for A. C. F parts,

(Accept to make fiammability UL 94V-0), EPDM rubber for B. D parts

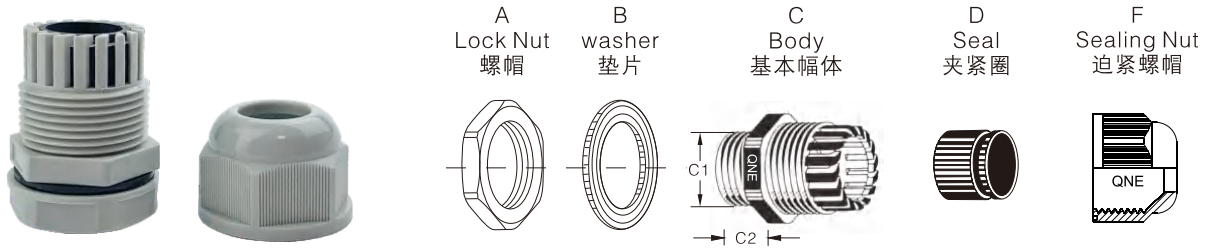
(Accept to make super rubber: Resist high temperature rubber, resist strong acid/alkali, etc)

Protection degree: P68-10Bar

Working temperature: -40°C to 100°C in staticstate, or instantaneous heat resistance up to 120°C; -20°C to 80°C in dynamicstate, or instantaneous heat resistance up to 100°C

Features: the claws and seals of excellent design, sealing nut have a "click" sound and re-open, can hold cable firmly and have a wider cable range. Resistant to salt water, weakacid, alcohol,oil,grease and common solvency

Colours: Black(RAL9005), gray(RAL7035), other color available upon request



螺牙规格 Thread	编号 Item. No.	电缆范围 Cable Range φ (mm)	螺纹外径 Thread O.D. C1(mm)	螺纹长度 Thread Length C2(mm)	扳手径 Spanner Size A&F(mm)	包装 Std. Pkg (pcs)
M8x1.25	WG- M8- 2.5	1- 2.5	8	7.5	12/13	50
	WG- M8- 4.8	2- 4.8	8	7.5	12/13	50
M10x1.5	WG- M10 - 3	1- 3	10	8	15/13	50
	WG- M10- 6	3- 6	10	8	15/13	50
M12x1.5	WG- M12S- 3	1- 3	12	8.5	18/15	50
	WG- M12S- 6	3- 6.5	12	8.5	18/15	50
	WG- M12SL- 3	1- 3	12	15	18/15	50
	WG- M12SL- 6	3- 6.5	12	15	18/15	50
	WG- M12- 5	3- 5.5	12	8.5	18/19	50
	WG- M12- 7	4- 8	12	8.5	18/19	50
	WG- M12L- 5	3- 5.5	12	15	18/19	50
	WG- M12L- 7	4- 8	12	15	18/19	50
M16x1.5	WG- M16S - 5	3- 5.5	16	10	22/19	50
	WG- M16S- 8	4- 8	16	10	22/19	50
	WG- M16SL - 5	3- 5.5	16	15	22/19	50
	WG- M16SL- 8	4- 8	16	15	22/19	50
	WG- M16- 7	3- 7	16	10	22/22	50
	WG- M16 - 10	5- 10	16	10	22/22	50
	WG- M16L - 7	3- 7	16	15	22/22	50
	WG - M16L - 10	5- 10	16	15	22/22	50

E-01 尼龙电缆防水接头(连体)

螺牙规格 Thread	编号 Item. No.	电缆范围 Cable Range Φ (mm)	螺纹外径 Thread O.D. C1(mm)	螺纹长度 Thread Length C2(mm)	扳手径 Spanner Size A&F(mm)	包装 Std. Pkg (pcs)
M18x1.5	WG- M18- 7	3- 7	18	10	24/22	50
	WG- M18 - 10	5- 10	18	10	24/22	50
	WG- M18L - 7	3- 7	18	15	24/22	50
	WG- M18L- 10	5- 10	18	15	24/22	50
M20x1.5	WG- M20M - 7	3- 7	20	10	27/22	50
	WG- M20M - 10	5- 10	20	10	27/22	50
	WG- M20S - 9	5- 9	20	10	27/24	50
	WG- M20S- 12.5	6- 12.5	20	10	27/24	50
	WG- M20SL - 9	5- 9	20	15	27/24	50
	WG- M20SL - 12.5	6- 12.5	20	15	27/24	50
	WG- M20 - 11	5- 11	20	11	27/27	50
	WG- M20- 13.5	8.5- 14	20	11	27/27	50
	WG- M20L - 11	5- 11	20	15	27/27	50
	WG- M20L - 13.5	8.5- 14	20	15	27/27	50
M22x1.5	WG- M22 - 11	5- 11	22	11	30/27	50
	WG- M22- 13.5	8.5- 14	22	11	30/27	50
M24x1.5	WG- M24 - 11	5- 11	24	11	30/27	50
	WG- M24- 14	8.5- 14	24	11	30/27	50
M25x1.5	WG- M25S- 11	5- 11	25	11.6	33/27	50
	WG- M25S- 14	8.5- 14	25	11.6	33/27	50
	WG- M25 - 13	7- 13	25	11.6	33/33	50
	WG- M25- 18	12.5- 18	25	11.6	33/33	50
	WG- M25L- 13	7- 13	25	15	33/33	50
	WG M25L- 18	12.5- 18	25	15	33/33	50
M32x1.5	WG- M32- 17.5	13- 17.5	32	15	41/42	20
	WG- M32- 25	17- 25	32	15	41/42	20
M36x1.5	WG- M36 - 17.5	13- 17.5	36	12	45/42	20
	WG- M36- 25	17- 25	36	12	45/42	20
M40x1.5	WG- M40 - 26.5	18- 25	40	15	50/52	10
	WG- M40- 31	23- 32	40	15	50/52	10
M50x1.5	WG- M50 - 32	25- 32	50	15	62/62	10
	WG- M50 - 41	30- 41	50	15	62/62	10
M63x1.5	WG- M63 - 41	29- 38	63	18	75/65	10
	WG- M63 - 45	35- 45	63	18	75/65	10

## E-01 尼龙电缆防水接头(连体)

螺牙规格 Thread	编号 Item. No.	电缆范围 Cable Range φ (mm)	螺纹外径 Thread O.D. C1(mm)	螺纹长度 Thread Length C2(mm)	扳手径 Spanner Size A&F(mm)	包装 Std.Pkg (pcs)
PG7	WG-PG7S-3	1-3	12.5	8	17/15	50
	WG-PG7S-6	3-6.5	12.5	8	17/15	50
	WG-PG7SL-3	1-3	12.5	15	17/15	50
	WG-PG7SL-6	3-6.5	12.5	15	17/15	50
	WG-PG7-5	3-5.5	12.5	8	17/19	50
	WG-PG7-7	4-8	12.5	8	17/19	50
PG9	WG-PG9-5.5	3-5.5	15.2	8.2	22/19	50
	WG-PG9-7.5	4-8	15.2	8.2	22/19	50
	WG-PG9L-5.5	3-5.5	15.2	15	22/19	50
	WG-PG9L-7.5	4-8	15.2	15	22/19	50
PG11	WG-PG11-7	3-7	18.6	10	24/22	50
	WG-PG11-10	5-10	18.6	10	24/22	50
	WG-PG11L-7	3-7	18.6	15	24/22	50
	WG-PG11L-10	5-10	18.6	15	24/22	50
PG13.5	WG-PG13.5-9	5-9	20.4	10	27/24	50
	WG-PG13.5-12.5	6-12.5	20.4	10	27/24	50
	WG-PG13.5L-9	5-9	20.4	15	27/24	50
	WG-PG13.5L-12.5	6-12.5	20.4	15	27/24	50
PG16	WG-PG16-11	5-11	22.5	10.8	30/27	50
	WG-PG16-14	8.5-14	22.5	10.8	30/27	50
	WG-PG16L-11	5-11	22.5	15	30/27	50
	WG-PG16L-14	8.5-14	22.5	15	30/27	50
PG19	WG-PG19-11	5-11	24	11	30/27	50
	WG-PG19-14	8.5-14	24	11	30/27	50
PG21	WG-PG21-13	7-13	28.3	12	36/33	50
	WG-PG21-17.5	12.5-18	28.3	12	36/33	50
	WG-PG21L-13	7-13	28.3	15	36/33	50
	WG-PG21L-17.5	12.5-18	28.3	15	36/33	50
PG25	WG-PG25-20	14-20	30	13	36/37	50
PG29	WG-PG29-17.5	13-17.5	37	12	46/41	20
	WG-PG29-25	17-25	37	12	46/41	20
PG36	WG-PG36-25.5	17-25.5	47	15	57/52	10
	WG-PG36-31	24-32	47	15	57/52	10
PG42	WG-PG42-32	25-32	54	15	64/62	10
	WG-PG42-41	30-41	54	15	64/62	10
PG48	WG-PG48-38	29-38	59.3	18.2	70/65	10
	WG-PG48-45	35-45	59.3	18.2	70/65	10

E-01 尼龙电缆防水接头(连体)

螺牙规格 Thread	编号 Item . No.	电缆范围 Cable Range φ (mm)	螺纹外径 Thread O .D. C1(mm)	螺纹长度 Thread Length C2(mm)	扳手径 Spanner Size A&F (mm)	包装 Std. Pkg (pcs)
G(PF)1/4"	WG-G1/4-5	3-5.3	13.2	8.5	19/19	50
	WG-G1/4-8	4-8	13.2	8.5	19/19	50
G(PF)3/8"	WG-G3/8-7	3-7	16.7	10	22/22	50
	WG-G3/8-10	5-10	16.7	10	22/22	50
G(PF)1/2"	WG-G1/2-9	5-9	21	10	27/24	50
	WG-G1/2-12.5	6-12.5	21	10	27/24	50
G(PF)3/4"	WG-G3/4 -13	7-13	26.4	12	36/33	50
	WG-G3/4-17.5	12.5-18	26.4	12	36/33	50
G(PF)1"	WG-G1-17.5	13-17.5	33.2	15	46/41	20
	WG-G1-25	17-25	33.2	15	46/41	20
G(PF)1 1/4"	WG-G11/4-25.5	17-25.5	41.9	15	57/52	10
	WG-G11/4-31	24-32	41.9	15	57/52	10
G(PF)1 1/2"	WG-G1 1/2-32	25-32	48	16	60/62	10
	WG-G1 1/2-41	30-41	48	16	60/62	10

螺牙规格 Thread	编号 Item . No.	电缆范围 Cable Range φ (mm)	螺纹外径 Thread O .D. C1(mm)	螺纹长度 Thread Length C2(mm)	扳手径 Spanner Size A&F (mm)	包装 Std. Pkg (pcs)
NPT1/4"	WG-NPT1/4-5.5	3-5.5	13.2	8.5	19	50
	WG-NPT1/4-6.8	4-8	13.2	8.5	19	50
NPT3/8"	WG-NPT3/8 -7	3-7	16.7	10	22	50
	WG-NPT3/8 -10	5-10	16.7	10	22	50
NPT1/2"	WG-NPT1/2-9	5-9	21	10	24	50
	WG-NPT1/2-13	6-12.5	21	10	24	50
NPT3/4"	WG-NPT3/4 -13	7-13	26.4	15	33	50
	WG-NPT3/4 -18	12.5-18	26.4	15	33	50
NPT1"	WG-NPT1-17.5	13-17.5	33.2	17	41	20
	WG-NPT1 -25	17-25	33.2	17	41	20
NPT1 1/4"	WG-NPT11/4-25.5	17-25.5	41.9	17	52	20
	WG-NPT11/4-31	24-32	41.9	17	52	20

## E-02 尼龙电缆防水接头(分体)

螺牙规格: 公制牙 (Metric)、PG牙、G(PF/BSP/PS)牙、NPT牙。

产品材质: A.C.F部分采用UL认可之尼龙PA66(防火等级UL94V-2)制成;  
(可定制UL认可的V-0防火等级尼龙原料); B.D部分采用三元乙丙耐候橡胶制成;  
(可定制耐寒、耐高温橡胶; 耐高酸碱、耐化学与抗腐蚀橡胶)。

保护等级: IP68-10

工作温度: 静态-40°C至100°C, 或瞬间可耐热至120°C; 动态-20°C至80°C, 或瞬间可耐热至100°C。

产品特性: 特殊夹紧爪与夹紧圈之设计, 夹紧电缆范围大, 抗拉力特强, 可防水、防尘、抗盐、耐弱酸、酒精、油、油脂及一般溶剂。  
颜色种类: 黑色、灰色, 其它颜色可定做。

Thread: Metric, PG, G(PF), and NPT thread

Materials: UL approved Nylon PA66(Fiammability UL94V-2) for A. C. F parts,  
(Accept to make fiammability UL 94V-0), EPDM rubber for B. D parts

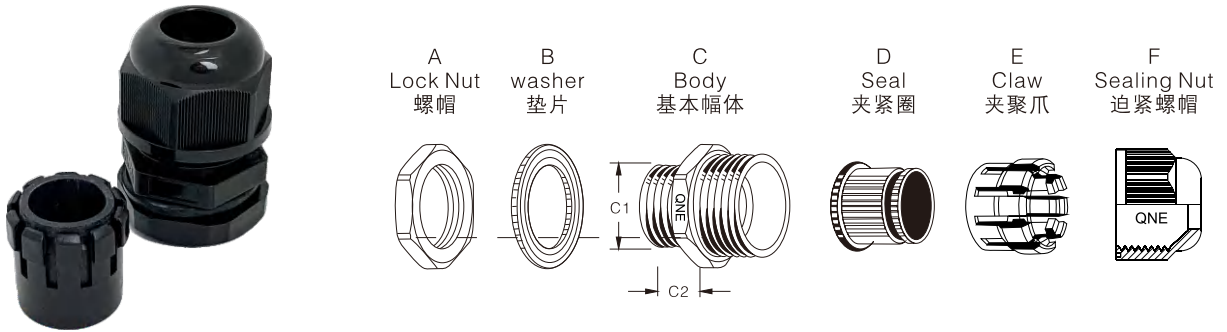
(Accept to make super rubber: Resist high temperature rubber, resist strong acid/alkali, etc)

Protection degree: P68-10Bar

Working temperature: -40°C to 100°C in staticstate, or instantaneous heat resistance up to 120°C; -20°C to 80°C in dynamicstate, or instantaneous heat resistance up to 100°C

Features: the claws and seals of excellent design, sealing nut have a "click" sound and re-open, can hold cable firmly and have a wider cable range. Resistant to salt water, weakacid, alcohol,oil,grease and common solvency

Colours: Black(RAL9005), gray(RAL7035), other color available upon request



螺牙规格 Thread	编号 Item . No.	电缆范围 Cable Range Φ (mm)	螺纹外径 Thread O .D. C 1(mm)	螺纹长度 Thread Length C 2 (mm)	扳手径 Spanner Size A & F (mm)	包装 Std . Pkg (pcs)
M12x1.5	WG-M12A-5.5	3-5.5	12	8.5	18/19	50
	WG-M12A-8	4.5-7.8	12	8.5	18/19	50
M16x1.5	WG-M16AS-5.5-ST	3-5.5	16	10	22/19	50
	WG-M16AS-8-ST	4-8	16	10	22/19	50
	WG-M16AS-5.5	3-5.5	16	15	22/19	50
	WG-M16AS-8	4-8	16	15	22/19	50
	WG-M16A-7-ST	4-7	16	10	22/22	50
	WG-M16A-10-ST	6-10	16	10	22/22	50
	WG-M16A-7	4-7	16	15	22/22	50
	WG-M16A-10	6-10	16	15	22/22	50
M20x1.5	WG-M20AS-9-ST	5-9	20	10	24/24	50
	WG-M20AS-12.5-ST	6-12.5	20	10	24/24	50
	WG-M20A-11-ST	6-11	20	10	27/27	50
	WG-M20A-14-ST	9-14	20	10	27/27	50
	WG-M20A-11	6-11	20	15	27/27	50
	WG-M20A-14	9-14	20	15	27/27	50
M22x1.5	WG-M22A-11	6-11	22	15	27/27	50
	WG-M22A-14	9-14	22	15	27/27	50
M25x1.5	WG-M25AS-11-ST	6-11	25	10	33/27	50
	WG-M25AS-14-ST	9-14	25	10	33/27	50
	WG-M25A-16-ST	10-16	25	10	33/33	50
	WG-M25A-18-ST	13-18	25	10	33/33	50
	WG-M25A-16	10-16	25	15	33/33	50
	WG-M25A-18	13-18	25	15	33/33	50
M32x1.5	WG-M32A-22	15-22	32	15	41/42	20
	WG-M32A-25	18-25	32	15	41/42	20

E-02 尼龙电缆防水接头(分体)

螺牙规格 Thread	编号 Item. No.	电缆范围 Cable Range Φ (mm)	螺纹外径 Thread O.D. C1(mm)	螺纹长度 Thread Length C2(mm)	扳手径 Spanner Size A&F(mm)	包装 Std. Pkg (pcs)
M40x1.5	WG-M40A-26	20-26	40	20	50/52	10
	WG-M40A-31	24-31	40	20	50/52	10
M50x1.5	WG-M50A-33	25-33	50	22	62/62	10
	WG-M50A-41	31-41	50	22	62/62	10
M63x1.5	WG-M63A-46	39-46	63	25	75/75	10
	WG-M63A-51	44-51	63	25	75/75	10
M75x2.0	WG-M75A-56	50-56	75	25	92/92	1
	WG-M75A-66	56-66	75	25	92/92	1
M90x2.0	WG-M90A-68	58-68	90	25	110/110	1
	WG-M90A-77	66-77	90	25	110/110	1

螺牙规格 Thread	编号 Item. No.	电缆范围 Cable Range Φ (mm)	螺纹外径 Thread O.D. C1(mm)	螺纹长度 Thread Length C2(mm)	扳手径 Spanner Size A&F(mm)	包装 Std. Pkg (pcs)
PG7	WG-PG7A-5.5	3-5.5	12.5	8	17/19	50
	WG-PG7A-8	4.5-7.8	12.5	8	17/19	50
PG9	WG-PG9A-5.5	3-5.5	15.2	8.2	22/19	50
	WG-PG9A-8	4.5-7.8	15.2	8.2	22/19	50
PG11	WG-PG11A-7	4-7	18.6	10	24/22	50
	WG-PG11A-10	6-10	18.6	10	24/22	50
PG13.5	WG-PG13.5A-8.8	5-8.8	20.4	10	27/24	50
	WG-PG13.5A-12.5	7-12.5	20.4	10	27/24	50
PG16	WG-PG16A-11	6-11	22.5	10.8	30/27	50
	WG-PG16A-14	9-14	22.5	10.8	30/27	50
PG21	WG-PG21A-16	10-16	28.3	12	36/33	50
	WG-PG21A-18	13-18	28.3	12	36/33	50
PG29	WG-PG29A-22	15-22	37	12	46/41	20
	WG-PG29A-24	18-25	37	12	46/41	20
PG36	WG-PG36A-26	20-26	47	14	57/52	10
	WG-PG36A-31	24-31	47	14	57/52	10
PG42	WG-PG42A-33	25-33	54	15	64/62	10
	WG-PG42A-41	31-41	54	15	64/62	10

螺牙规格 Thread	编号 Item. No.	电缆范围 Cable Range Φ (mm)	螺纹外径 Thread O.D. C1(mm)	螺纹长度 Thread Length C2(mm)	扳手径 Spanner Size A&F(mm)	包装 Std. Pkg (pcs)
G(PF)1/4"	WG-G1/4A-5	3-5.3	13.2	8.5	19/19	50
	WG-G1/4A-8	5-7.8	13.2	8.5	19/19	50
G(PF)3/8"	WG-G3/8A-7	4-7	16.7	10	22/22	50
	WG-G3/8A-10	6-10	16.7	10	22/22	50
G(PF)1/2"	WG-G1/2A-9	5-8.8	21	10	27/24	50
	WG-G1/2A-12.5	7-12.5	21	10	27/24	50
G(PF)3/4"	WG-G3/4A-13	7-13	26.4	12	36/33	50
	WG-G3/4A-17.5	12.5-18	26.4	12	36/33	50
G(PF)1"	WG-G1A-21	15-22	33.2	15	46/41	20
	WG-G1A-24	17-25	33.2	15	46/41	20
G(PF)1 1/4"	WG-G1 1/4A-25.5	17-25.5	41.9	15	57/52	10
	WG-G1 1/4A-31	24-32	41.9	15	57/52	10
G(PF)1 1/2"	WG-G1 1/2A-33	25-33	48	22	60/62	10
	WG-G1 1/2A-41	31-41	48	22	60/62	10
G(PF)2"	WG-G2A-46	39-46	60	26	72/65	10
	WG-G2A-51	44-51	60	26	72/65	10

## E-03 多孔&扁孔尼龙电缆接头

螺牙规格：公制牙 (Metric)、PG牙、G(PF/BSP/PS)牙、NPT牙。

产品材质：A.C.F部分采用UL认可之尼龙PA66(防火等级UL94V-2)制成；  
(可定制UL认可的V-0防火等级尼龙原料)；B.D部分采用三元乙丙耐候橡胶制成；  
(可定制耐寒、耐高温橡胶；耐高酸碱、耐化学与抗腐蚀橡胶)。

保护等级：IP68-10

工作温度：静态-40°C至100°C，或瞬间可耐热至120°C；动态-20°C至80°C，或瞬间可耐热至100°C。

产品特性：特殊夹紧爪与夹紧圈之设计，夹紧电缆范围大，抗拉力特强，可防水、防尘、抗盐、耐弱酸、酒精、油、油脂及一般溶剂。  
颜色种类：黑色、灰色，其它颜色可定做。

Thread: Metric, PG, G(PF), and NPT thread

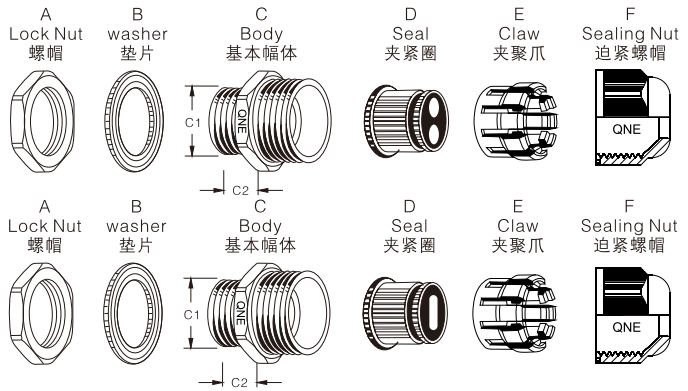
Materials: UL approved Nylon PA66(Fiammability UL94V-2) for A. C. F parts,  
(Accept to make fiammability UL 94V-0), EPDM rubber for B. D parts  
(Accept to make super rubber: Resist high temperature rubber, resist strong acid/alkali, etc)

Protection degree: P68-10Bar

Working temperature: -40°C to 100°C in staticstate, or instantaneous heat resistance up to 120°C; -20°C to 80°C in dynamicstate, or instantaneous heat resistance up to 100°C






Features: the claws and seals of excellent design, sealing nut have a "click" sound and re-open, can hold cable firmly and have a wider cable range. Resistant to salt water, weakacid, alcohol,oil,grease and common solvency

Colours: Black(RAL9005), gray(RAL7035), other color available upon request



夹紧圈形状 SealHoles	螺牙规格 Thread	编号 Item.No.		电缆范围 CableRange Φ(mm)	螺纹外径 Thread0.D C1 (mm)	机扳口径 PanelinMountingHole (mm)	螺纹长度 ThreadLength C2 (mm)	扳手径 SpannerSize A&F(mm)	包装 Std Pkg (pcs)
		黑色Black	灰色Gray						
	M12X1.5	WMG12A-H2-03B	WMG12A-H2-03G	1.2~3	12	12~12.3	9	18/19	50
	M16X1.5	WMG16A-H2-04B	WMG16A-H2-04G	1.6~4	16	16~16.3	15	22/22	50
	M20X1.5	WMG20A-H2-03B	WMG20A-H2-03G	2~3.5	20	20~20.3	15	27/27	50
	M20X1.5	WMG20A-H2-06B	WMG20A-H2-06G	2.5~6	20	20~20.3	15	27/27	50
	M25X1.5	WMG25A-H2-05B	WMG25A-H2-05G	2~5	25	25~25.4	15	33/33	50
	M25X1.5	WMG25A-H2-08B	WMG25A-H2-08G	4.5~8.7	25	25~25.4	15	33/33	50
	M32X1.5	WMG32A-H2-10B	WMG32A-H2-10G	5~10	32	32~32.4	15	41/41	10
	M12X1.5	WMG12A-H3-02B	WMG12A-H3-02G	1.2~2.6	12	12~12.3	9	18/19	50
	M16X1.5	WMG16A-H3-04B	WMG16A-H3-04G	1.6~4	16	16~16.3	15	22/22	50
	M20X1.5	WMG20A-H3-03B	WMG20A-H3-03G	1.5~3.5	20	20~20.3	15	27/27	50
	M20X1.5	WMG20A-H3-05B	WMG20A-H3-05G	2~5	20	20~20.3	15	27/27	50
	M25X1.5	WMG25A-H3-05B	WMG25A-H3-05G	2~5	25	25~25.4	15	33/33	50
	M25X1.5	WMG25A-H3-08B	WMG25A-H3-08G	4~8	25	25~25.4	15	33/33	50
	M32X1.5	WMG32A-H3-10B	WMG32A-H3-10G	5~10	32	32~32.4	15	41/41	10
	M12X1.5	WMG12A-H4-02B	WMG12A-H4-02G	1~2.3	12	12~12.3	9	18/19	50
	M16X1.5	WMG16A-H4-03B	WMG16A-H4-03G	1.2~3	16	16~16.3	15	22/22	50
	M20X1.5	WMG20A-H4-03B	WMG20A-H4-03G	1.5~3.5	20	20~20.3	15	27/27	50
	M20X1.5	WMG20A-H4-04B	WMG20A-H4-04G	2~4.5	20	20~20.3	15	27/27	50
	M25X1.5	WMG25A-H4-05B	WMG25A-H4-05G	2~5	25	25~25.4	15	33/33	50
	M25X1.5	WMG25A-H4-07B	WMG25A-H4-07G	3.5~7	25	25~25.4	15	33/33	50
	M32X1.5	WMG32A-H4-09B	WMG32A-H4-09G	4.5~9	32	32~32.4	15	41/41	10

E-03 多孔&扁孔尼龙电缆接头

夹紧圈形状 SealHoles	螺牙规格 Thread	编号 Item.No.		电缆范围 CableRange (mm)	螺纹外径 ThreadO.D C1 (mm)	机扳口径 PanelinMountingHole (mm)	螺纹长度 ThreadLength C2 (mm)	扳手径 SpannerSize A&F(mm)	包装 Std Pkg (pcs)
		黑色Black	灰色Gray						
	M16X1.5	WMG16A-H5-02B	WMG16A-H5-02G	1~2.5	16	16~16.3	15	22/22	50
	M20X1.5	WMG20A-H5-03B	WMG20A-H5-03G	1.2~3	20	20~20.3	15	27/27	50
	M20X1.5	WMG20A-H5-04B	WMG20A-H5-04G	1.7~4.2	20	20~20.3	15	27/27	50
	M25X1.5	WMG25A-H5-03B	WMG25A-H5-03G	1.5~3.5	25	25~25.4	15	33/33	50
	M25X1.5	WMG25A-H5-06B	WMG25A-M5-06G	3~6	25	25~25.4	15	33/33	50
	M32X1.5	WMG32A-H5-08B	WMG32A-H5-08G	4~8	32	32~32.4	15	41/41	10
	M16X1.5	WMG16A-H6-02B	WMG16A-H6-02G	1~2	16	16~16.3	15	22/22	50
	M20X1.5	WMG20A-H6-03B	WMG20A-H6-03G	1.2~3	20	20~20.3	15	27/27	50
	M25X1.5	WMG25A-H6-03B	WMG25A-H6-03G	1.5~3.5	25	25~25.4	15	33/33	50
	M25X1.5	WMG25A-H6-05B	WMG25A-H6-05G	2.4~5.3	25	25~25.4	15	33/33	50
	M32X1.5	WMG32A-H6-07B	WMG32A-H6-07G	3.5~7	32	32~32.4	15	41/41	10
	M20X1.5	WMG20A-H7-03B	WMG20A-H7-03G	1.2~3	20	20~20.3	15	27/27	50
	M25X1.5	WMG25A-H7-03B	WMG25A-H7-03G	1.5~3.5	25	25~25.4	15	33/33	50
	M32X1.5	WMG32A-H7-06B	WMG32A-H7-06G	3~6	32	32~32.4	15	41/41	10
	M20X1.5	NG20A-H8-02B	WMG20A-H8-02G	1~2.8	20	20~20.3	15	27/27	50
	M25X1.5	WMG25A-H8-03B	WMG25A-H8-03G	1.5~3.5	25	25~25.4	15	33/33	50
	M16X1.5	WMG16A-0610B	WMG16A-0610G	6~10	16	16~16.3	15	22/22	50
	M20X1.5	WMG20A-0612B	WMG20A-0612G	6.5~12	20	20~20.3	15	27/27	50
	M20X1.5	WMG20A-0614B	WMG20A-0614G	6~14	20	20~20.3	15	27/27	50
	M20X1.5	WMG20A-0712B	WMG20A-0712G	7~12	20	20~20.3	15	27/27	50
	M20X1.5	WMG20A-0714B	WMG20A-0714G	7~14	20	20~20.3	15	27/27	50
	M25X1.5	WMG25A-0614B	WMG25A-0614G	6~14	25	25~25.4	15	33/33	50
	M25x1.5	WMG25A-0714B	WMG25A-0714G	7~14	25	25~25.4	15	33/33	50
	M32X1.5	WMG32A-0822B	WMG32A-0822G	8~22	32	32~32.4	15	41/41	10
	M40X1.5	WMG40A-1028B	WMG40A-1028G	10~28.5	40	40~40.3	20	50/50	10
	M40X1.5	NG40A-0529B	WMG40A-0529G	5.5~29	40	40~40.3	20	50/50	10

E

## E-04 波纹管快速接头

螺牙规格：公制牙 (Metric)、PG牙、G(PF/BSP/PS)牙、NPT牙。

产品材质：采用UL认可之尼龙PA66(防火等级UL94V-2)制成；(可定制)

工作温度：静态-40°C至100°C，或瞬间可耐热至120°C；动态-20°C至80°C，或瞬间可耐热至100°C。

产品特性：特殊夹紧爪与夹紧圈之设计，夹紧浪管抗压力强，超快速拔插装卸，提高安装效率。

颜色种类：黑色、灰色，其它颜色可定做。

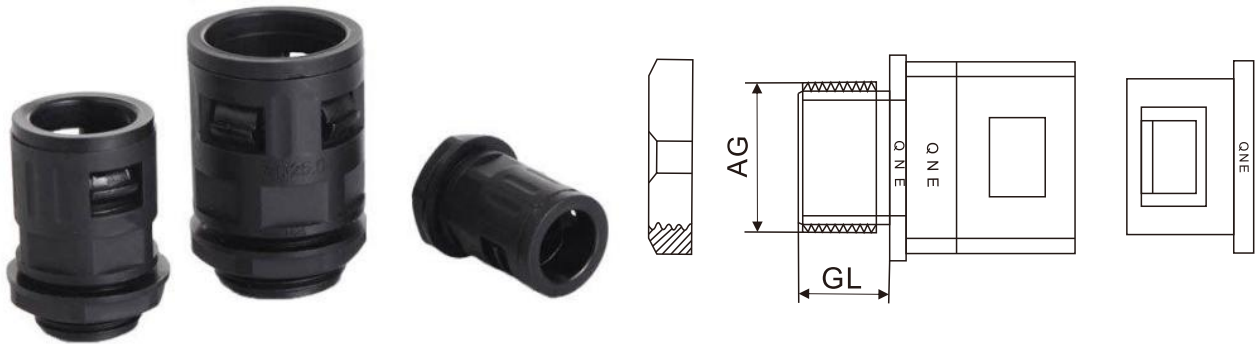
Thread: Metric, PG, G(PF), and NPT thread

Materials: UL approved Nylon PA66(Fiammability UL94V-2), Accept to make

Working temperature: -40°C to 100°C in staticstate, or instantaneous heat resistance up to 120°C; -20°C to 80°C in dynamicstate, or instantaneous heat resistance up to 100°C

Features: the claws of excellent design to provide a fast & safe connection with the tubing and to get an excellent result of the pullout strength to be the best balanced performers for cable protection system.

Colours: Black(RAL9005), gray(RAL7035), other color available upon request



适配软管 Accommodated Pipes	编号 Item.No.	螺牙规格 Thread	螺纹外径 Outer diameter AG(mm)	螺纹长度 Thread Length GL (mm)	包装 Std.Pkg (pcs)
AD10.0	KSJT-M12-10.0	M12x1.5	12	8.5	50
AD13.0	KSJT-M12-13.0	M12x1.5	12	10	50
	KSJT-M16-13.0	M16x1.5	16	10	50
	KSJT-M18-13.0	M18x1.5	18	10	50
AD15.8	KSJT-M16-15.8	M16x1.5	16	10	50
	KSJT-M18-15.8	M18x1.5	18	12.5	50
	KSJT-M20-15.8	M20x1.5	20	12.5	50
AD18.5	KSJT-M20-18.5	M20x1.5	20	12.5	50
	KSJT-M22-18.5	M22x1.5	22	12.5	50
AD21.2	KSJT-M20-21.2	M20x1.5	20	13	50
	KSJT-M22-21.2	M22x1.5	22	13	50
	KSJT-M24-21.2	M24x1.5	24	13	50
	KSJT-M25-21.2	M25x1.5	25	13	50
	KSJT-M25-25.0	M25x1.5	25	13	50
AD25.0	KSJT-M25-28.5	M25x1.5	25	13	20
AD28.5	KSJT-M27-28.5	M27x1.5	27	13	20
	KSJT-M30-28.5	M30x1.5	30	13	20
	KSJT-M30-28.5-2	M30x2	30	13	20
	KSJT-M32-28.5	M32x1.5	32	13	20
AD34.5	KSJT-M32-34.5	M32x1.5	32	14	10
	KSJT-M36-34.5	M36x1.5	36	14	10
	KSJT-M36-34.5-2	M36x2	36	14	10
AD42.5	KSJT-M40-34.5	M40x1.5	40	14	10
	KSJT-M40-42.5	M40x1.5	40	15	8
	KSJT-M42-42.5	M42x1.5	42	15	8
	KSJT-M48-42.5	M48x1.5	48	15	8
	KSJT-M48-42.5-2	M48x2	48	15	8
AD54.5	KSJT-M50-54.5	M50x1.5	50	16	5
	KSJT-M60-54.5	M60x1.5	60	16	5
	KSJT-M63-54.5	M63x1.5	60	16	5

## E-05 90°波纹管快速接头

螺牙规格: 公制牙(Metric)、PG牙、G(PF/BSP/PS)牙、NPT牙。

产品材质: 采用UL认可之尼龙PA66(防火等级UL94V-2)制成;(可定制)

工作温度: 静态-40°C至100°C, 或瞬间可耐热至120°C; 动态-20°C至80°C, 或瞬间可耐热至100°C。

产品特性: 特殊夹紧爪与夹紧圈之设计, 夹紧波纹管抗压力强, 超快速拔插装卸, 提高安装效率。

颜色种类: 黑色、灰色, 其它颜色可定做。

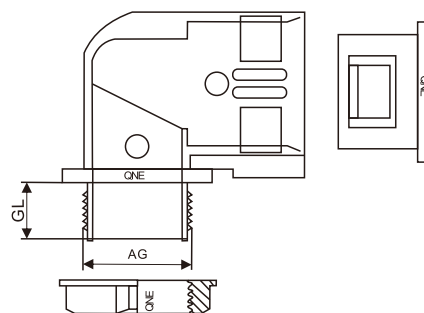
Thread: Metric, PG, G(PF), and NPT thread

Materials: UL approved Nylon PA66(Fiammability UL94V-2), Accept to make

Working temperature: -40°C to 100°C in staticstate, or instantaneous heat resistance up to 120°C; -20°C to 80°C in dynamicstate, or instantaneous heat resistance up to 100°C

Features: the claws of excellent design to provide a fast & safe connection with the tubing and to get an excellent result of the pullout strength to be the best balanced performers for cable protection system.

Colours: Black(RAL9005), gray(RAL7035), other color available upon request



适配软管 Accommodated Pipes	编号Item.No.	螺牙规格 Thread	螺纹外径 Outer diameter AG(mm)	螺纹长度 Thread Length GL(mm)
AD10.0	L-M10-10.0	M10x1.5	10.0	10.0
	L-M12-10.0	M12x1.5	12.0	10.0
AD13.0	L-M16-13.0	M16x1.5	16.0	10.0
	L-M18-13.0	M18x1.5	18.0	10.0
	L-M20-13.0	M20x1.5	20.0	10.0
AD15.8	L-M16-15.8	M16x1.5	16.0	10.0
	L-M18-15.8	M18x1.5	18.0	10.0
	L-M20-15.8	M20x1.5	20.0	10.0
AD18.5	L-M20-18.5	M20x1.5	20.0	11.5
AD21.2	L-M20-21.2	M20x1.5	20.0	13.0
	L-M24-21.2	M24x1.5	24.0	13.0
	L-M25-21.2	M25x1.5	25.0	13.0
AD25.0	L-M25-25.0	M25x1.5	25.0	13.0
AD28.5	L-M25-28.5	M25x1.5	25.0	13.0
	L-M27-28.5	M27x1.5	27.0	13.0
	L-M30-28.5	M30x1.5	30.0	13.0
AD34.5	L-M32-34.5	M32x1.5	32.0	14.5
	L-M36-34.5	M36x1.5	36.0	14.5
	L-M40-34.5	M40x1.5	40.0	14.5
AD42.5	L-M40-42.5	M40x1.5	40.0	14.5
	L-M48-42.5	M48x1.5	48.0	14.5
AD54.5	L-M50-54.5	M50x1.5	50.0	16.0
	L-M63-54.5	M63x1.5	63.0	16.0
AD10.0	L-PG7-10.0	PG7	12.5	10.0

## E-05 90°波纹管快速接头

适配软管 Accommodated Pipes	编号Item.No.	螺牙规格 Thread	螺纹外径 Outer diameter AG(mm)	螺纹长度 Thread Length GL(mm)
AD13.0	L-PG9-13.0	PG9	15.2	10.0
AD15.8	L-PG11-15.8	PG11	18.6	10.0
AD18.5	L-PG13.5-18.5	PG13.5	20.4	11.0
AD21.2	L-PG16-21.2	PG16	22.5	13.0
AD25.0	L-PG21-25	PG21	28.3	13.0
AD28.5	L-PG21-28.5	PG21	28.3	13.0
AD34.5	L-PG29-34.5	PG29	37.0	14.5
AD42.5	L-PG36-42.5	PG36	47.0	14.5
AD54.5	L-PG42-54.5	PG42	54.0	16.0
AD54.5	L-PG48-54.5	PG48	59.3	16.0
AD10.0	L-G1/4-10.0	G(PF)1/4"	13.157	10.0
AD13.0	L-G3/8-13.0	G(PF)3/8"	16.662	10.0
AD15.8	L-G1/2-15.8	6(PF)1/2"	20.955	10.0
AD18.5	L-G1/2-18.5	G(PF)1/2"	20.955	11.0
AD21.2	L-G1/2-21.2	G(PF)1/2"	20.955	13.0
AD25.0	L-G3/4-25	G(PF)3/4"	26.441	13.0
AD28.5	L-G3/4-28.5	G(PF)3/4"	26.441	13.0
AD34.5	L-G1-34.5	G(PF)1"	33.2	14.5
AD42.5	L-G11/4-42.5	G(PF)1 1/4"	41.9	14.5
AD54.5	L-G11/2-54.5	G(PF)1 1/2"	48.0	16.0
AD54.5	L-G2-54.5	G(PF)2"	60.0	16.0

## E-06 尼龙软管支架

产品材质：尼龙PA66(polyamide)

工作温度：-40℃至100℃

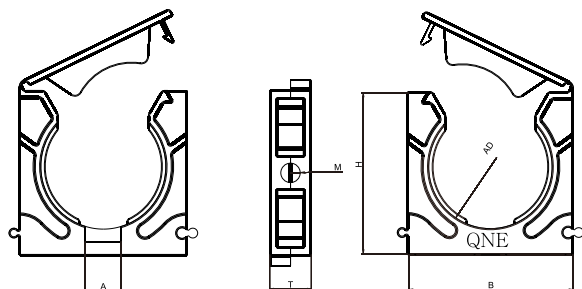
颜色种类：黑色(其它颜色可定做)

供应范围：淘汰老旧带盖与不带盖两种市场分类,采用美观衔接牢固整体新型设计

Materials: UL approved Halogen-Free Nylon PA66(Flammability UL 94-2)

Working temperature: -40°C to 100°C

Colours: Black(RAL9005), gray(RAL7035) other color available upon request



## E-06 尼龙软管支架

型号 Item.No.	适配软管规格AD Accommodated Pipes		H (mm)	B (mm)	T (mm)	M (mm)	A (mm)
NN-ZJ-10.0	AD10.0	1/4	30	23	12.5	4	6.5
NN-ZJ-13.0	AD13.0	5/16	30	23	12.5	4	6.5
NN-ZJ-15.8	AD15.8	3/8	30	23	12.5	4	6.5
NN-ZJ-18.5	AD18.5		35	30	15	5	6.5
NN-ZJ-21.2	AD21.2	1/2	35	30	15	5	6.5
NN-ZJ-25.0	AD25.0		35	30	15	5	6.5
NN-ZJ-28.5	AD28.5	3/4	42	38	16	6	11.5
NN-ZJ-34.5	AD34.5	1/2	51	43	16	6	11.5
NN-ZJ-42.5	AD42.5	1 1/4	61	51	16	6	11.5
NN-ZJ-54.5	AD54.5	2	74	64	20	6	11.5

## E-07 黄铜电缆接头

螺牙规格：公制牙 (Metric)、PG牙、G(PF/BSP/PS)牙、NPT牙。

产品材质：A.C.F部分以黄铜电镀制成；E部分采用UL认可之尼龙PA66(防火等级UL94V-2)制成；

B.D部分采用三元乙丙耐候橡胶制成；(可定制耐寒、耐高温橡胶；耐高酸碱、耐化学与抗腐蚀橡胶)。

保护等级：IP68-10

工作温度：静态-40°C至100°C，或瞬间可耐热至120°C。(可定制-60°C至220°C)

产品特性：特殊夹紧爪与夹紧圈之设计，夹紧电缆范围大，抗拉力特强，可防水、防尘、抗盐、耐弱酸、酒精、油、油脂及一般溶剂。

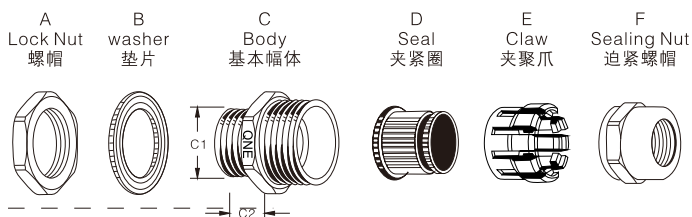
Thread: Metric, PG, G(PF), and NPT thread

Materials: Brass with nickle plated for A.C.F parts. UL approved Nylon PA66(Fiammability UL94V-2) for E parts, EPDM rubber for B. D parts (Accept to make super rubber: Resist high temperature rubber, resist strong acid/alkali, etc)

Protection degree: P68-10Bar

Working temperature: -40°C to 100°C in staticstate, or instantaneous heat resistance up to 120°C

Features: the claws and seals of excellent design, sealing nut have a "click" sound and re-open, can hold cable firmly and have a wider cable range. Resistant to salt water, weakacid, alcohol,oil,grease and common solvency.



## E-07 黄铜电缆接头

螺牙规格 Thread	编号 Item No.	电缆范围 Cable Range Φ(mm)	螺纹外径 Thread O.D. C1(mm)	螺纹长度 Thread Length C2(mm)	扳手径 Spanner Size A&F(mm)	包装 Std.Pkg (pcs)
M6x1	HT-M6-3	2-3	6	5	9/9	20
M8x1.25	HT-M8-4.8	3-4.8	8	5.5	11/11	20
M10x1.5	HT-M10-5.5	3-5.5	10	7	14/14	20
M12x1.5	HT-M12S-5.5	3-6.5	12	7	14/14	20
	HT-M12-5.5	3-5.5	12	8	17/17	10
	HT-M12-7.8	4.5-8	12	8	17/17	10
	HT-M12S-5.5-L	3-6.5	12	15	14/14	20
	HT-M12-5.5-L	3-5.5	12	15	17/17	10
	HT-M12-7.8-L	4.5-8	12	15	17/17	10
M16x1.5	HT-M16S-5.5	3-5.5	16	8	18/18	10
	HT-M16S-7.8	4.5-8	16	8	18/18	10
	HT-M16S-5.5-L	3-5.5	16	15	18/18	10
	HT-M16S-7.8-L	4.5-8	16	15	18/18	10
	HT-M16-7	4-7	16	8	22/22	10
	HT-M16-10	6-10	16	8	22/22	10
	HT-M16-7-L	4-7	16	15	22/22	10
	HT-M16-10-L	6-10	16	15	22/22	10
M18x1.5	HT-M18-7	4-7	18	8	22/22	10
	HT-M18-10	6-10	18	8	22/22	10
	HT-M18-7-L	4-7	18	15	22/22	10
	HT-M18-10-L	6-10	18	15	22/22	10
M20x1.5	HT-M20S-8.8	4-8.8	20	9.5	24/24	10
	HT-M20S-12.5	7-12.5	20	9.5	24/24	10
	HT-M20S-8.8-L	4-8.8	20	15	24/24	10
	HT-M20S-12.5-L	7-12.5	20	15	24/24	10
	HT-M20-11	7-11	20	9.5	25/25	10
M20x1.5	HT-M20-14	9-14	20	9.5	25/25	10
	HT-M20-11-L	7-11	20	15	25/25	10
	HT-M20-14-L	9-14	20	15	25/25	10

## E-07 黄铜电缆接头

螺牙规格 Thread	编号 Item No.	电缆范围 Cable Range Φ(mm)	螺纹外径 Thread O.D. C1(mm)	螺纹长度 Thread Length C2(mm)	扳手径 Spanner Size A&F(mm)	包装 Std.Pkg (pcs)
M22x1.5	HT-M22-11	7-11	22	9.5	25/25	10
	HT-M22-14	9-14	22	9.5	25/25	10
	HT-M22-11-L	7-11	22	15	25/25	10
	HT-M22-14-L	9-14	22	15	25/25	10
M24x1.5	HT-M24-16	12-16	24	12	30/30	10
	HT-M24-18	14-18	24	12	30/30	10
	HT-M24-16-L	12-16	24	15	30/30	10
	HT-M24-18-L	14-18	24	15	30/30	10
M25x1.5	HT-M25S-11	7-11	25	12	25/25	10
	HT-M25S-14	9-14	25	12	25/25	10
	HT-M25S-11-L	7-11	25	15	25/25	10
	HT-M25S-14-L	9-14	25	15	25/25	10
	HT-M25-16	12-16	25	12	30/30	10
	HT-M25-18	14-18	25	12	30/30	10
	HT-M25-16-L	12-16	25	15	30/30	10
	HT-M25-18-L	14-18	25	15	30/30	10
M32x1.5	HT-M32-22	16-22	32	12.5	40/40	10
	HT-M32-25	18-25	32	12.5	40/40	10
	HT-M32-22-L	16-22	32	15	40/40	10
	HT-M32-25-L	18-25	32	15	40/40	10
M40x1.5	HT-M40-26	21-26	40	15	50/50	10
	HT-M40-31	24-31	40	15	50/50	10
	HT-M40-26-L	21-26	40	20	50/50	10
	HT-M40-31-L	24-31	40	20	50/50	10
M50x1.5	HT-M50-33	25-33	50	15	59/59	5
	HT-M50-41	31-41	50	15	59/59	5
	HT-M50-33-L	25-33	50	22	59/59	5
	HT-M50-41-L	31-41	50	22	59/59	5
M63x1.5	HT-M63-45	35-45	63	17	69/69	1
M63x1.5	HT-M63L-46	39-46	63	17	75/75	1
M63x1.5	HT-M63L-51	44-51	63	17	75/75	1
M75x2	HT-M75-56	50-56	75	22	93/93	1
M75x2	HT-M75-66	56-66	75	22	93/93	1
M80x2	HT-M80-56	50-56	80	22	93/93	1
M80x2	HT-M80-66	56-66	80	22	93/93	1
M90x2	HT-M90-68	58-68	90	24	110/110	1
M90x2	HT-M90-77	66-77	90	24	110/110	1
M100x2	HT-M100-68	58-68	100	24	110/110	1
M100x2	HT-M100-77	66-77	100	24	110/110	1

## E-07 黄铜电缆接头

螺牙规格 Thread	编号 Item.No.	电缆范围 Cable Range φ(mm)	螺纹外径 Thread O.D. C1(mm)	螺纹长度 Thread Length C2(mm)	扳手径 Spanner Size A&F(mm)	包装 Std.Pkg (pcs)
PG7	HT-PG7S-5.5	3-6.5	12.5	7	14/14	20
	HT-PG7-5.5	3-5.5	12.5	8	17/17	10
	HT-PG7-7.8	4.5-8	12.5	8	17/17	10
	HT-PG7S-5.5-L	3-6.5	12.5	15	14/14	20
	HT-PG7-5.5-L	3-5.5	12.5	15	17/17	10
	HT-PG7-7.8-L	4.5-8	12.5	15	17/17	10
PG9	HT-PG9-5.5	3-5.5	15.2	8	18/18	10
	HT-PG9-7.8	4.5-8	15.2	8	18/18	10
	HT-PG9-5.5-L	3-5.5	15.2	15	18/18	10
	HT-PG9-7.8-L	4.5-8	15.2	15	18/18	10
PG11	HT-PG11-7	4-7	18.6	9	22/22	10
	HT-PG11-10	6-10	18.6	9	22/22	10
	HT-PG11-7-L	4-7	18.6	15	22/22	10
	HT-PG11-10-L	6-10	18.6	15	22/22	10
PG13.5	HT-PG13.58.8	4-8.8	20.4	9.5	24/24	10
	HT-PG13.512.5	7-12.5	20.4	9.5	24/24	10
	HT-PG13.58.8-L	4-8.8	20.4	15	24/24	10
	HT-PG13.512.5-L	7-12.5	20.4	15	24/24	10
PG16	HT-PG16-11	7-11	22.5	9.5	25/25	10
	HT-PG16-14	9-14	22.5	9.5	25/25	10
	HT-PG16-11-L	7-11	22.5	15	25/25	10
	HT-PG16-14-L	9-14	22.5	15	25/25	10
PG21	HT-PG21-16	12-16	28.3	12	30/30	10
	HT-PG21-18	14-18	28.3	12	30/30	10
	HT-PG21-16-L	12-16	28.3	15	30/30	10
	HT-PG21-18-L	14-18	28.3	15	30/30	10
PG29	HT-PG29-22	16-22	37	12.5	40/40	10
	HT-PG29-25	18-25	37	12.5	40/40	10
	HT-PG29-22-L	16-22	37	15	40/40	10
	HT-PG29-25-L	18-25	37	15	40/40	10
PG36	HT-PG36-26	21-26	47	15	50/50	10
	HT-PG36-31	24-31	47	15	50/50	10
PG42	HT-PG42-33	25-33	54	15	59/59	10
	HT-PG42-41	31-41	54	15	59/59	10
PG48	HT-PG48-45	35-45	59.3	17	69/69	5
G(PF)1/4"	HT-PF1/4-5.5	3-5.5	13.1	8	18/18	10
	HT-PF1/4-7.8	4.5-8	13.1	8	18/18	10
G(PF)3/8"	HT-PF3/8-7	4-7	16.6	9	22/22	10
	HT-PF3/8-10	6-10	16.6	9	22/22	10
G(PF)1/2"	HT-PF1/2S-8.8	4-8.8	20.9	9.5	24/24	10
	HT-PF1/2S-12.5	7-12.5	20.9	9.5	24/24	10
	HT-PF1/2-11	7-11	20.9	9.5	25/25	10
	HT-PF1/2-14	9-14	20.9	9.5	25/25	10
G(PF)3/4"	HT-PF3/4-16	12-16	26.4	12	30/30	10
	HT-PF3/4-18	14-18	26.4	12	30/30	10

## E-07 黄铜电缆接头

螺牙规格 Thread	编号 Item.No.	电缆范围 Cable Range φ(mm)	螺纹外径 Thread O.D. C1(mm)	螺纹长度 Thread Length C2(mm)	扳手径 Spanner Size A&F(mm)	包装 Std.Pkg (pcs)
G(PF)1"	HT-PF1-22	16-22	33.2	12.5	40/40	10
	HT-PF1-25	18-25	33.2	12.5	40/40	10
G(PF)1 1/4"	HT-PF11/4-26	21-26	41.9	15	50/50	10
	HT-PF11/4-31	24-31	41.9	15	50/50	10
G(PF)1 1/2"	HT-PF11/2-33	25-33	48	15	59/59	10
	HT-PF11/2-41	31-41	48	15	59/59	10
G(PF)1 2"	HT-PF2-45	35-45	60	17	69/69	5
NPT1/4"	HT-NPT1/4-5.5	3-5.5	13.1	8	18	10
	HT-NPT1/4-7.8	4.5-8	13.1	8	18	10
NPT3/8"	HT-NPT3/8-7	4-7	16.6	9	22	10
	HT-NPT3/8-10	6-10	16.6	9	22	10
NPT1/2"	HT-NPT1/2S-8.8	4-8.8	20.9	9.5	24	10
	HT-NPT1/2S-12.5	7-12.5	20.9	9.5	24	10
	HT-NPT1/2-11	7-11	20.9	9.5	25	10
	HT-NPT1/2-14	9-14	20.9	9.5	25	10
NPT3/4"	HT-NPT3/4-16	12-16	26.4	12	30	10
	HT-NPT3/4-18	14-18	26.4	12	30	10
NPT1"	HT-NPT1-22	16-22	33.2	12.5	40	10
	HT-NPT1-25	18-25	33.2	12.5	40	10
NPT1 1/4"	HT-NPT11/4-26	21-26	41.9	15	50	10
	HT-NPT11/4-31	24-31	41.9	15	50	10
NPT1 1/2"	HT-NPT11/2-33	25-33	48	15	59	10
	HT-NPT11/2-41	31-41	48	15	59	10
NPT2"	HT-NPT2-45	35-45	60	17	69	5

## E-08 EMC 金属电缆接头

螺牙规格: 公制牙 (Metric)、PG牙、G(PF/BSP/PS)牙、NPT牙。

产品材质: A.C.F部分以黄铜镀镍制成; E部分采用UL认可之尼龙PA66(防火等级UL94V-2)制成;  
B.D部分采用EPD耐候胶制成。

保护等级: IP68-10

工作温度: 静态-40°C至100°C, 或瞬间可耐热至120°C。(可定制-60°C至220°C)

产品特性: 特殊夹紧爪与夹紧圈之设计, 夹紧电缆范围大, 抗拉力特强, 可防水、防尘、抗盐、耐弱酸、酒精、油、油脂及一般溶剂。

Thread: Metric, PG, G(PF), and NPT thread

Materials: Brass with nickel plated for A.C.F parts. UL approved Nylon PA66(FIammability UL94V-2) for E parts,  
EPDM rubber for B. D parts

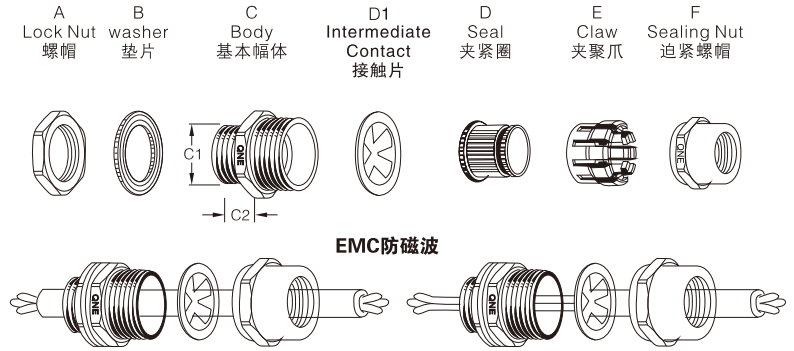
Protection degree: P68-10Bar

Working temperature: -40°C to 100°C in static state, or instantaneous heat resistance up to 120°C

Features: the claws and seals of excellent design, sealing nut have a "click" sound and re-open, can hold cable firmly  
and have a wider cable range. Resistant to salt water, weak acid, alcohol, oil, grease and common solvency.

E-08 EMC金属电缆接头

E



螺牙规格 Thread	编号 Item. No.	电缆范围 Cable Range φ(mm)	螺纹外径 Thread O.D. C1(mm)	螺纹长度 Thread Length C2(mm)	扳手径 Spanner Size A&F(mm)	包装 Std.Pkg (pcs)
M12x1.5	HT-MBA12-5.5	3-5.5	12	8	17/17	10
	HT-MBA12-7.8	4.5-8	12	8	17/17	10
	HT-MBA12-5.5-L	3-5.5	12	15	17/17	10
	HT-MBA-7.8-L	4.5-8	12	15	17/17	10
M16x1.5	HT-MBA16S-5.5	3-5.5	16	8	18/18	10
	HT-MBA16S-7.8	4.5-8	16	8	18/18	10
	HT-MBA16S-5.5-L	3-5.5	16	15	18/18	10
	HT-MBA16S-7.8-L	4.5-8	16	15	18/18	10
	HT-MBA16-7	4-7	16	8	22/22	10
	HT-MBA16-10	6-10	16	8	22/22	10
	HT-MBA16-7-L	4-7	16	15	22/22	10
	HT-MBA16-10-L	6-10	16	15	22/22	10
M18x1.5	HT-MBA18-7	4-7	18	8	22/22	10
	HT-MBA18-10	6-10	18	8	22/22	10
	HT-MBA18-7-L	4-7	18	15	22/22	10
	HT-MBA18-10-L	6-10	18	15	22/22	10
M20x1.5	HT-MBA20S-8.8	4-8.8	20	9.5	24/24	10
	HT-MBA20S-12.5	7-12.5	20	9.5	24/24	10
	HT-MBA20S-8.8-L	4-8.8	20	15	24/24	10
	HT-MBA20S-12.5-L	7-12.5	20	15	24/24	10
	HT-MBA20-11	7-11	20	9.5	25/25	10
	HT-MBA20-14	9-14	20	9.5	25/25	10
	HT-MBA20-11-L	7-11	20	15	25/25	10
	HT-MBA20-14-L	9-14	20	15	25/25	10

E-08 EMC金属电缆接头

螺牙规格 Thread	编号 Item. No.	电缆范围 Cable Range Φ(mm)	螺纹外径 Thread O.D. C1(mm)	螺纹长度 Thread Length C2(mm)	扳手径 Spanner Size A&F(mm)	包装 Std.Pkg (pcs)
M22x1.5	HT-MBA22-11	7-11	22	9.5	25/25	10
	HT-MBA22-14	9-14	22	9.5	25/25	10
	HT-MBA22-11-L	7-11	22	15	25/25	10
	HT-MBA22-14-L	9-14	22	15	25/25	10
M24x1.5	HT-MBA24-16	12-16	24	12	30/30	10
	HT-MBA24-18	14-18	24	12	30/30	10
	HT-MBA24-16-L	12-16	24	15	30/30	10
	HT-MBA24-18-L	14-18	24	15	30/30	10
M25x1.5	HT-MBA25S-11	7-11	25	12	25/25	10
	HT-MBA25S-14	9-14	25	12	25/25	10
	HT-MBA25S-11-L	7-11	25	15	25/25	10
	HT-MBA25S-14-L	9-14	25	15	25/25	10
	HT-MBA25-16	12-16	25	12	30/30	10
	HT-MBA25-18	14-18	25	12	30/30	10
	HT-MBA25-16-L	12-16	25	15	30/30	10
	HT-MBA25-18-L	14-18	25	15	30/30	10
M32x1.5	HT-MBA32-22	16-22	32	12.5	40/40	10
	HT-MBA32-25	18-25	32	12.5	40/40	10
	HT-MBA32-22-L	16-22	32	15	40/40	10
	HT-MBA32-25-L	18-25	32	15	40/40	10
M40x1.5	HT-MBA40-26	21-26	40	15	50/50	10
	HT-MBA40-31	24-31	40	15	50/50	10
	HT-MBA40-26-L	21-26	40	20	50/50	10
	HT-MBA40-31-L	24-31	40	20	50/50	10
M50x1.5	HT-MBA50-33	25-33	50	15	59/59	5
	HT-MBA50-41	31-41	50	15	59/59	5
	HT-MBA50-33-L	25-33	50	22	59/59	5
	HT-MBA50-41-L	31-41	50	22	59/59	5
M63x1.5	HT-MBA63-45	35-45	63	17	69/69	1
M63x1.5	HT-MBA63L-46	39-46	63	17	75/75	1
M63x1.5	HT-MBA63L-51	44-51	63	17	75/75	1

螺牙规格 Thread	编号 Item. No.	电缆范围 Cable Range Φ(mm)	螺纹外径 Thread O.D. C1(mm)	螺纹长度 Thread Length C2(mm)	扳手径 Spanner Size A&F(mm)	包装 Std.Pkg (pcs)
PG7	HT-PBA7-5.5	3-5.5	12.5	8	17/17	10
	HT-PBA7-7.8	4.5-8	12.5	8	17/17	10
	HT-PBA7-5.5-L	3-5.5	12.5	15	17/17	10
	HT-PBAG7-7.8-L	4.5-8	12.5	15	17/17	10
PG9	HT-PBA9-5.5	3-5.5	15.2	8	18/18	10
	HT-PBA9-7.8	4.5-8	15.2	8	18/18	10
	HT-PBA9-5.5-L	3-5.5	15.2	15	18/18	10
	HT-PBA9-7.8-L	4.5-8	15.2	15	18/18	10
PG11	HT-PBA11-7	4-7	18.6	9	22/22	10
	HT-PBA11-10	6-10	18.6	9	22/22	10
	HT-PBA11-7-L	4-7	18.6	15	22/22	10
	HT-PBA11-10-L	6-10	18.6	15	22/22	10

## E-08 EMC金属电缆接头

螺牙规格 Thread	编号 Item. No.	电缆范围 Cable Range Φ(mm)	螺纹外径 Thread O.D. C1(mm)	螺纹长度 Thread Length C2(mm)	扳手径 Spanner Size A&F(mm)	包装 Std.Pkg (pcs)
PG13.5	HT-PBA13.58.8	4-8.8	20.4	9.5	24/24	10
	HT-PBA13.512.5	7-12.5	20.4	9.5	24/24	10
	HT-PBA13.58.8-L	4-8.8	20.4	15	24/24	10
	HT-PBA13.512.5-L	7-12.5	20.4	15	24/24	10
PG16	HT-PBA16-11	7-11	22.5	9.5	25/25	10
	HT-PBA16-14	9-14	22.5	9.5	25/25	10
	HT-PBA16-11-L	7-11	22.5	15	25/25	10
	HT-PBA16-14-L	9-14	22.5	15	25/25	10
PG21	HT-PBA21-16	12-16	28.3	12	30/30	10
	HT-PBA1-18	14-18	28.3	12	30/30	10
	HT-PBA21-16-L	12-16	28.3	15	30/30	10
	HT-PBA21-18-L	14-18	28.3	15	30/30	10
PG29	HT-PBA29-22	16-22	37	12.5	40/40	10
	HT-PBA29-25	18-25	37	12.5	40/40	10
	HT-PBA29-22-L	16-22	37	15	40/40	10
	HT-PBA29-25-L	18-25	37	15	40/40	10
PG36	HT-PBA36-26	21-26	47	15	50/50	10
	HT-PBA36-31	24-31	47	15	50/50	10
PG42	HT-PBA42-33	25-33	54	15	59/59	10
	HT-PBA42-41	31-41	54	15	59/59	10
PG48	HT-PBA48-45	35-45	59.3	17	69/69	5
G(PF)1/4"	HT-FBA1/4-5.5	3-5.5	13.1	8	18/18	10
	HT-FBA1/4-7.8	4.5-8	13.1	8	18/18	10
G(PF)3/8"	HT-FBA3/8-7	4-7	16.6	9	22/22	10
	HT-FBA3/8-10	6-10	16.6	9	22/22	10
G(PF)1/2"	HT-FBA1/2S-8.8	4-8.8	20.9	9.5	24/24	10
	HT-FBA1/2S-12.5	7-12.5	20.9	9.5	24/24	10
	HT-FBA1/2-11	7-11	20.9	9.5	25/25	10
	HT-FBA1/2-14	9-14	20.9	9.5	25/25	10
G(PF)3/4"	HT-FBA3/4-16	12-16	26.4	12	30/30	10
	HT-FBA3/4-18	14-18	26.4	12	30/30	10
G(PF)1"	HT-FBA1-22	16-22	33.2	12.5	40/40	10
	HT-FBA1-25	18-25	33.2	12.5	40/40	10
G(PF)1 1/4"	HT-FBA1 1/4-26	21-26	41.9	15	50/50	10
	HT-FBA1 1/4-31	24-31	41.9	15	50/50	10
G(PF)1 1/2"	HT-FBA1 1/2-33	25-33	48	15	59/59	10
	HT-FBA1 1/2-41	31-41	48	15	59/59	10
G(PF)2"	HT-FBA2-45	35-45	60	17	69/69	5
NPT1/4"	HT-NBA1/4-5.5	3-5.5	13.1	8	18	10
	HT-NBA1/4-7.8	4.5-8	13.1	8	18	10
NPT3/8"	HT-NBA3/8-7	4-7	16.6	9	22	10
	HT-NBA3/8-10	6-10	16.6	9	22	10
NPT1/2"	HT-NBA1/2S-8.8	4-8.8	20.9	9.5	24	10
	HT-NBA1/2S-12.5	7-12.5	20.9	9.5	24	10
	HT-NBA1/2-11	7-11	20.9	9.5	25	10
	HT-NBA1/2-14	9-14	20.9	9.5	25	10
NPT3/4"	HT-NBA3/4-16	12-16	26.4	12	30	10
	HT-NBA3/4-18	14-18	26.4	12	30	10
NPT1"	HT-NBA1-22	16-22	33.2	12.5	40	10
	HT-NBA1-25	18-25	33.2	12.5	40	10
NPT1 1/4"	HT-NBA1 1/4-26	21-26	41.9	15	50	10
	HT-NBA1 1/4-31	24-31	41.9	15	50	10
NPT1 1/2"	HT-NBA1 1/2-33	25-33	48	15	59	10
	HT-NBA1 1/2-41	31-41	48	15	59	10
NPT2"	HT-NBA2-45	35-45	60	17	69	5

## E-09 多孔及扁孔型金属电缆接头

螺牙规格：公制牙 (Metric)、PG牙、G(PF/BSP/PS)牙、NPT牙。

产品材质：A.C.F部分以黄铜镀镍制成；E部分采用UL认可之尼龙PA66(防火等级UL94V-2)制成；B.D部分采用EPD耐候胶制成。

保护等级：IP68-10

工作温度：静态-40°C至100°C，或瞬间可耐热至120°C。（可定制-60°C至220°C）

产品特性：特殊夹紧爪与夹紧圈之设计，夹紧电缆范围大，抗拉力特强，可防水、防尘、抗盐、耐弱酸、酒精、油、油脂及一般溶剂。

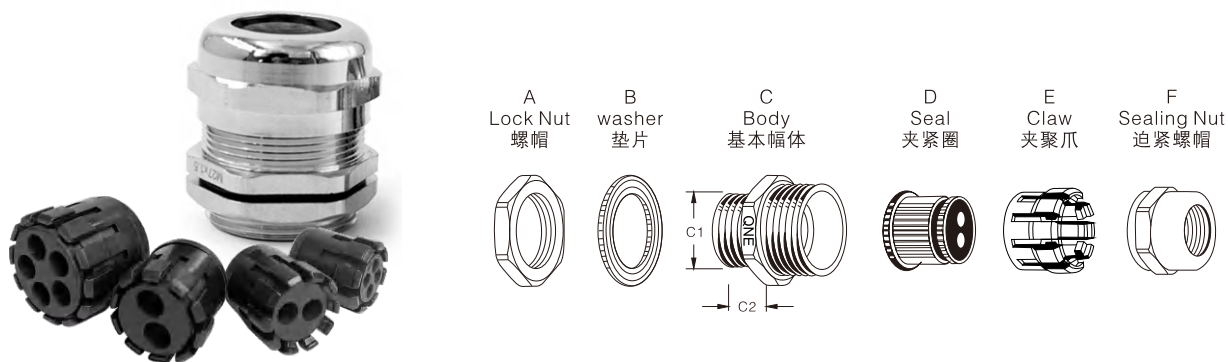
Thread: Metric, PG, G(PF), and NPT thread

Materials: Brass with nickel plated for A.C.F parts. UL approved Nylon PA66(FIammability UL94V-2) for E parts, EPDM rubber for B. D parts

Protection degree: P68-10Bar

Working temperature: -40°C to 100°C in staticstate, or instantaneous heat resistance up to 120°C



Features: the claws and seals of excellent design, sealing nut have a "click" sound and re-open, can hold cable firmly and have a wider cable range. Resistant to salt water, weakacid, alcohol,oil,grease and common solvency.



夹紧圈形状 Sealholes	螺牙规格 Thread	编号 Item.No.	电缆范围 CableRange φ(mm)	螺纹外径 Thread O.D. C1(mm)	机扳口径 Panel Mounting Hole (mm)	螺纹长度 ThreadLength C2(mm)	扳手径 SpannerSize A&F(mm)	包装 Std.Pkg (pcs)
	M12X1.5	HTDK12-H2-03	1.2~3	12	12~12.3	8	17/17	10
	M16X1.5	HTDK16-H2-04	1.6~4	16	16~16.3	9	22/22	10
	M20X1.5	HTDK20M-H2-05	1.5~5.3	20	20~20.3	9.5	24/24	10
	M20X1.5	HTDK20-H2-03	2~3.5	20	20~20.3	9.5	26/26	10
	M20X1.5	HTDK20-H2-06	2.5~6	20	20~20.3	9.5	26/26	10
	M25X1.5	HTDK25-H2-05	2~5	25	25~25.4	12	32/32	10
	M25X1.5	HTDK25-H2-08	4.5~8.7	25	25~25.4	12	32/32	10
	M32X1.5	HTDK32-H2-10	5~10	32	32~32.4	12.5	41/41	10
	G(PF)1/4"	HTDK13-H2-03	1.2~3	13.1	13.1~13.4	8	17/1.7	10
	G(PF)3/8"	HTDK17-H2-04	1.6~4	16.6	16.6~16.9	9	22/22	10
	G(PF)1/2"	HTDK21-H2-03	2~3.5	20.9	20.9~21.2	9.5	26/26	10
	G(PF)1/2"	HTDK21-H2-06	2.5~6	20.9	20.9~21.2	9.5	26/26	10
	G(PF)3/4"	HTDK26-H2-05	2~5	26.4	26.4~26.8	12	32/32	10
	G(PF)3/4"	HTDK26-H2-08	4.5~8.7	26.4	26.4~26.8	12	32/32	10
	G(PF)1"	HTDK33-H2-10	5~10	33.2	33.2~33.6	12.5	41/41	10
	PG7	HTDK7-H2-03	1.2~3	12.5	12.5~12.8	8	17/17	10
	PG9	HTDK9-H2-03	1.2~3	15.2	15.2~15.5	8	18/17	10
	PG11	HTDK11-H2-04	1.6~4	18.6	18.6~18.9	9	22/22	10
	PG13.5	HTDK13.5-H2-05	1.5~5.3	20.4	20.4~20.7	9.5	24/24	10
	PG16	HTDK16-H2-03	2~3.5	22.5	22.5~22.8	9.5	26/26	10
	PG16	HTDK16-H2-06	2.5~6	22.5	22.5~22.8	9.5	26/26	10
	PG21	HTDK21-H2-05	2~5	28.3	28.3~28.7	12	32/32	10
	PG21	HTDK21-H2-08	4.5~8.7	28.3	28.3~28.7	12	32/32	10
	PG29	HTDK29-H2-10	5~10	37	37~37.4	12.5	41/41	10
	NPT3/8"	HTDK17-H2-04	1.6~4	17.1	-	13	22	10
	NPT1/2"	HTDK21-H2-03	2~3.5	21.3	-	13	26	10
	NPT1/2"	HTDK21-H2-06	2.5~6	21.3	-	13	26	10
	NPT3/4"	HTDK26-H2-05	2~5	26.6	-	14	32	10
	NPT3/4"	HTDK26-H2-08	4.5~8.7	26.6	-	14	32	10
	NPT1"	HTDK33-H2-10	5~10	33.5	-	15	41	10

E-09 多孔及扁孔型金属电缆接头

E




夹紧圈形状 Sealholes	螺牙规格 Thread	编号 Item.No.	电缆范围 CableRange φ(mm)	螺纹外径 Thread O.D. C1(mm)	机扳口径 Panel Mounting Hole (mm)	螺纹长度 ThreadLength C2(mm)	扳手径 SpannerSize A&F(mm)	包装 Std.Pkg (pcs)
	M12X1.5	HTDK12-H3-02	1.2~2.6	12	12~12.3	8	17/17	10
	M16X1.5	HTDK16-H3-04	1.6~4	16	16~16.3	9	22/22	10
	M20X1.5	HTDK20M-H3-05	2~5	20	20~20.3	9.5	24/24	10
	M20X1.5	HTDK20-H3-03	1.5~3.5	20	20~20.3	9.5	26/26	10
	M20X1.5	HTDK20-H3-05	2~5	20	20~20.3	9.5	26/26	10
	M25X1.5	HTDK25-H3-05	2~5	25	25~25.4	12	32/32	10
	M25X1.5	HTDK25-H3-08	4~8	25	25~25.4	12	32/32	10
	M32X1.5	HTDK32-H3-10	5~10	32	32~32.4	12.5	41/41	10
	G(PF)1/4"	HTDK13-H3-02	1.2~2.6	13.1	13.1~13.4	8	17/17	10
	G(PF)3/8"	HTDK17-H3-04	1.6~4	16.6	16.6~16.9	9	22/22	10
	G(PF)1/2"	HTDK21-H3-03	1.5~3.5	20.9	20.9~21.2	9.5	26/26	10
	G(PF)1/2"	HTDK21-H3-05	2~5	20.9	20.9~21.2	9.5	26/26	10
	G(PF)3/4"	HTDK26-H3-05	2~5	26.4	26.4~26.8	12	32/32	10
	G(PF)3/4"	HTDK26-H3-08	4~8	26.4	26.4~26.8	12	32/32	10
	G(PF)1"	HTDK33-H3-10	5~10	33.2	33.2~33.6	12.5	41/41	10
	PG7	HTDK7H3-02	1.2~2.6	12.5	12.5~12.8	8	17/17	10
	PG9	HTDK9-H3-02	1.2~2.6	15.2	15.2~15.5	8	18/17	10
	PG11	HTDK11-H3-04	1.6~4	18.6	18.6~18.9	9	22/22	10
	PG13.5	HTDK13.5-H3-05	2~5	20.4	20.4~20.7	9.5	24/24	10
	PG16	HTDK16-H3-03	1.5~3.5	22.5	22.5~22.8	9.5	26/26	10
	PG16	HTDK16-H3-05	2~5	22.5	22.5~22.8	9.5	26/26	10
	PG21	HTDK21-H3-05	2~5	28.3	28.3~28.7	12	32/32	10
	PG21	HTDK21-H3-08	4~8	28.3	28.3~28.7	12	32/32	10
	PG29	HTDK29-H3-10	5~10	37	37~37.4	12.5	41/41	10
	NPT3/8"	HTDK17-H3-04	1.6~4	17.1	-	13	22	10
	NPT1/2"	HTDK21-H3-03	1.5~3.5	21.3	-	13	26	10
	NPT1/2"	HTDK21-H3-05	2~5	21.3	-	13	26	10
	NPT3/4"	HTDK26-H3-05	2~5	26.6	-	14	32	10
NPT3/4"	HTDK26-H3-08	4~8	26.6	-	14	32	10	
NPT1"	HTDK33-H3-10	5~10	33.5	-	15	41	10	
	M12X1.5	HTDK12-H4-02	1~2.3	12	12~12.3	8	17/17	10
	M16X1.5	HTDK16-H4-03	1.2~3	16	16~16.3	9	22/22	10
	M20X1.5	HTDK20M-H4-04	1.7~4.2	20	20~20.3	9.5	24/24	10
	M20X1.5	HTDK20-H4-03	1.5~3.5	20	20~20.3	9.5	26/26	10
	M20X1.5	HTDK20-H4-04	2~4.5	20	20.0~20.3	9.5	26/26	10
	M25X1.5	HTDK25-H4-05	2~5	25	25~25.4	12	32/32	10
	M25X1.5	HTDK25-H4-07	3.5~7	25	25~25.4	12	32/32	10
	M32X1.5	HTDK32-H4-09	4.5~9	32	32~32.4	12.5	41/41	10
	G(PF)1/4"	HTDK13-H4-02	1~2.3	13.1	13.1~13.4	8	17/17	10
	G(PF)3/8"	HTDK17-H4-03	1.2~3	16.6	16.6~16.9	9	22/22	10
	G(PF)1/2"	HTDK21-H4-03	1.5~3.5	20.9	20.9~21.2	9.5	26/26	10
	G(PF)1/2"	HTDK21-H4-04	2~4.5	20.9	20.9~21.2	9.5	26/26	10
	G(PF)3/4"	HTDK26-H4-05	2~5	26.4	26.4~26.8	12	32/32	10
	G(PF)3/4"	HTDK26-H4-07	3.5~7	26.4	26.4~26.8	12	32/32	10
	G(PF)1"	HTDK33-H4-09	4.5~9	33.2	33.2~33.6	12.5	41/41	10
	PG7	HTDK7-H4-02	1~2.3	12.5	12.5~12.8	8	17/17	10
	PG9	HTDK9-H4-02	1~2.3	15.2	15.2~15.5	8	18/17	10
	PG11	HTDK11-H4-03	1.2~3	18.6	18.6~18.9	9	22/22	10
	PG13.5	HTDK13.5-H4-04	1.7~4.2	20.4	20.4~20.7	9.5	24/24	10
	PG16	HTDK16-H4-03	1.5~3.5	22.5	22.5~22.8	9.5	26/26	10
	PG16	HTDK16-H4-04	2~4.5	22.5	22.5~22.8	9.5	26/26	10
	PG21	HTDK21-H4-05	2~5	28.3	28.3~28.7	12	32/32	10
	PG21	HTDK21-H4-07	3.5~7	28.3	28.3~28.7	12	32/32	10
	PG29	HTDK29-H4-09	4.5~9	37	37~37.4	12.5	41/41	10
	NPT3/8"	HTDK17-H4-03	1.2~3	17.1	-	13	22	10
	NPT1/2"	HTDK21-H4-03	1.5~3.5	21.3	-	13	26	10
	NPT1/2"	HTDK21-H4-04	2~4.5	21.3	-	13	26	10
	NPT3/4"	HTDK26-H4-05	2~5	26.6	-	14	32	10
NPT3/4"	HTDK26-H4-07	3.5~7	26.6	-	14	32	10	
NPT1"	HTDK33-H4-09	4.5~9	33.5	-	15	41	10	

E-09 多孔及扁孔型金属电缆接头

夹紧圈形状 Sealholes	螺牙规格 Thread	编号 Item.No.	电缆范围 CableRange φ(mm)	螺纹外径 ThreadO.D. C1(mm)	机扳口径 PanelMounting Hole(mm)	螺纹长度 ThreadLength C2(mm)	扳手径 SpannerSize A&F(mm)	包装 Std.Pkg (pcs)
	M16X1.5	HTDK16-H5-02	1~2.5	16	16~16.3	9	22/22	10
	M20X1.5	HTDK20-H5-03	1.2~3	20	20~20.3	9.5	26/26	10
	M20X1.5	HTDK20-H5-04	1.7~4.2	20	20~20.3	9.5	26/26	10
	M25X1.5	HTDK25-H5-03	1.5~3.5	25	25~25.4	12	32/32	10
	M25X1.5	HTDK25-H5-06	3~6	25	25~25.4	12	32/32	10
	M32X1.5	HTDK32-H5-08	4~8	32	32~32.4	12.5	41/41	10
	G(PF)3/8"	HTDK17-H5-02	1~2.5	16.6	16.6~16.9	9	22/22	10
	G(PF)1/2"	HTDK21-H5-03	1.2~3	20.9	20.9~21.2	9.5	26/26	10
	G(PF)1/2"	HTDK21-H5-04	1.7~4.2	20.9	20.9~21.2	9.5	26/26	10
	G(PF)3/4"	HTDK26-H5-03	1.5~3.5	26.4	26.4~26.8	12	32/32	10
	G(PF)3/4"	HTDK26-H5-06	3~6	26.4	26.4~26.8	12	32/32	10
	G(PF)1"	HTDK33-H5-08	4~8	33.2	33.2~33.6	12.5	41/41	10
	PG11	HTDK11-H5-02	1~2.5	18.6	18.6~18.9	9	22/22	10
	PG16	HTDK16-H5-03	1.2~3	22.5	22.5~22.8	9.5	26/26	10
	PG16	HTDK16-H5-04	1.7~4.2	22.5	22.5~22.8	9.5	26/26	10
	PG21	HTDK21-H5-03	1.5~3.5	28.3	28.3~28.7	12	32/32	10
	PG21	HTDK21-H5-06	3~6	28.3	28.3~28.7	12	32/32	10
	PG29	HTDK29-H5-08	4~8	37	37~37.4	12.5	41/41	10
	NPT3/8"	HTDK17-H5-02	1~2.5	17.1	-	13	22	10
	NPT1/2"	HTDK21-H5-03	1.2~3	21.3	-	13	26	10
NPT1/2"	HTDK21-H5-04	1.7~4.2	21.3	-	13	26	10	
NPT3/4"	HTDK26-H5-03	1.5~3.5	26.6	-	14	32	10	
NPT3/4"	HTDK26-H5-06	3~6	26.6	-	14	32	10	
NPT1"	HTDK33-H5-08	4~8	33.5	-	15	41	10	

夹紧圈形状 Sealholes	螺牙规格 Thread	编号 Item.No.	电缆范围 CableRange φ(mm)	螺纹外径 ThreadO.D. C1(mm)	机扳口径 PanelMounting Hole(mm)	螺纹长度 ThreadLength C2(mm)	扳手径 SpannerSize A&F(mm)	包装 Std.Pkg (pcs)
	M16X1.5	HTDK16H6-02	1~2	16	16~16.3	9	22/22	10
	M20X1.5	HTDK20H6-03	1.2~3	20	20~20.3	9.5	26/26	10
	M25X1.5	HTDK25-H6-03	1.5~3.5	25	25~25.4	12	32/32	10
	M25X1.5	HTDK25-H6-05	2.4~5.3	25	25~25.4	12	32/32	10
	M32X1.5	HTDK32-H6-07	3.5~7	32	32~32.4	12.5	41/41	10
	G(PF)3/8"	HTDK17-H6-02	1~2	16.6	16.6~16.9	9	22/22	10
	G(PF)1/2"	HTDK21-H6-03	1.2~3	20.9	20.9~21.2	9.5	26/26	10
	G(PF)3/4"	HTDK26-H6-03	1.5~3.5	26.4	26.4~26.8	12	32/32	10
	G(PF)3/4"	HTDK26-H6-05	2.4~5.3	26.4	26.4~26.8	12	32/32	10
	G(PF)1"	HTDK33-H6-07	3.5~7	33.2	33.2~33.6	12.5	41/41	10
	PG11	HTDK11-H6-02	1~2	18.6	18.6~18.9	9	22/22	10
	PG16	HTDK16-H6-03	1.2~3	22.5	22.5~22.8	9.5	26/26	10
	PG21	HTDK21-H6-03	1.5~3.5	28.3	28.3~28.7	12	32/32	10
	PG21	HTDK21-H6-05	2.4~5.3	28.3	28.3~28.7	12	32/32	10
	PG29	HTDK29-H6-07	3.5~7	37	37~37.4	12.5	41/41	10
	NPT3/8"	HTDK17-H6-02	1~2	17.1	-	13	22	10
	NPT1/2"	HTDK21-H6-03	1.2~3	21.3	-	13	26	10
	NPT3/4"	HTDK26-H6-03	1.5~3.5	26.6	-	14	32	10
	NPT3/4"	HTDK26-H6-05	2.4~5.3	26.6	-	14	32	10
	NPT1"	HTDK33-H6-07	3.5~7	33.5	-	15	41	10

## E-09 多孔及扁孔型金属电缆接头

夹紧圈形状 Sealholes	螺牙规格 Thread	编号 Item.No.	电缆范围 CableRange φ(mm)	螺纹外径 Thread O.D. C1 (mm)	机扳口径 PanelMounting Hole(mm)	螺纹长度 ThreadLength C2(mm)	扳手径 SpannerSize A&F(mm)	包装 Std.Pkg (pcs)
	M20X1.5	HTDK20-H7-03	1.2~3	20	20~20.3	9.5	26/26	10
	M25X1.5	HTDK25-H7-03	1.5~3.5	25	25~25.4	12	32/32	10
	M32X1.5	HTDK32-H7-06	3~6	32	32~32.4	12.5	41/41	10
	G(PF)1/2"	HTDK21-H7-03	1.2~3	20.9	20.9~21.2	9.5	26/26	10
	G(PF)3/4"	HTDK26-H7-03	1.5~3.5	26.4	26.4~26.8	12	32/32	10
	G(PF)1"	HTDK33-H7-06	3~6	33.2	33.2~33.6	12.5	41/41	10
	PG16	HTDK16-H7-03	1.2~3	22.5	22.5~22.8	9.5	26/26	10
	PG21	HTDK21-H7-03	1.5~3.5	28.3	28.3~28.7	12	32/32	10
	PG29	HTDK29-H7-06	3~6	37	37~37.4	12.5	41/41	10
	NPT1/2"	HTDK21-H7-03	1.2~3	21.3	-	13	26	10
NPT3/4"	HTDK26-H7-03	1.5~3.5	26.6	-	14	32	10	
NPT1"	HTDK33-H7-06	3~6	33.5	-	15	41	10	
	M20X1.5	HTDK20-H8-02	1~2.8	20	20~20.3	9.5	26/26	10
	M25X1.5	HTDK25-H8-03	1.5~3.5	25	25~25.4	12	32/32	10
	G(PF)1/2"	HTDK21-H8-02	1~2.8	20.9	20.9~21.2	9.5	26/26	10
	G(PF)3/4"	HTDK26-H8-03	1.5~3.5	26.4	26.4~26.8	12	32/32	10
	PG16	HTDK16-H8-02	1~2.8	22.5	22.5~22.8	9.5	26/26	10
	PG21	HTDK21-H8-03	1.5~3.5	28.3	28.3~28.7	12	32/32	10
	NPT1/2"	HTDK21-H8-02	1~2.8	21.3	-	13	26	10
	NPT3/4"	HTDK26-H8-03	1.5~3.5	26.6	-	14	32	10
	M16X1.5	HTDK16-0610	6X10	16	1616.3	9	22/22	10
	M20X1.5	HTDK20M-0511	5X11.5	20	20~20.3	9.5	24/24	10
	M20X1.5	HTDK20-0612	6.5X1	20	20~20.3	9.5	26/26	10
	M20X1.5	HTDK20-0614	6X14	20	20~20.3	9.5	26/26	10
	M20X1.5	HTDK20-0712	7X12	20	20~20.3	9.5	26/26	10
	M20X1.5	HTDK20-0714	7X14	20	20~20.3	9.5	26/26	10
	M25X1.5	HTDK25-0614	6X14	25	25~25.4	12	32/32	10
	M25X1.5	HTDK25-0714	7X14	25	25~25.4	12	32/32	10
	M32X1.5	HTDK32-0822	8X22	32	32~32.4	12.5	41/41	10
	M40X1.5	HTDK40-1028	10X28.5	40	4040.4	15	50/50	5
	M40X1.5	HTDK40-0529	5.5X29	40	40~40.4	15	50/50	5
	G(PF)3/8"	HTDK17-0610	6X10	16.6	16.6~16.9	9	22/22	10
	G(PF)1/2"	HTDK21-0612	6.5X12	20.9	20.9~21.2	9.5	26/26	10
	G(PF)1/2"	HTDK21-0614	6X14	20.9	20.9~21.2	9.5	26/26	10
	G(PF)1/2"	HTDK21-0712	7x12	20.9	20.9~21.2	9.5	26/26	10
	G(PF)1/2"	HTDK21-0714	7X14	20.9	20.9~21.2	9.5	26/26	10
	G(PF)3/4"	HTDK26-0614	6X14	26.4	26.4~26.8	12	32/32	10
	G(PF)3/4"	HTDK26-0714	7X14	26.4	26.4~26.8	12	32/32	10
	G(PF)1"	HTDK33-0822	8X22	33.2	33.233.6	12.5	41/41	10
	G(PF)11/4"	HTDK42-1028	10X28.5	41.9	41.9~42.3	15	50/50	5
	G(PF)11/4"	HTDK42-0529	5.5X29	41.9	41.9~42.3	15	50/50	5
	PG11	HTDK11-0610	6X10	18.6	18.618.9	9	22/22	10
	PG13.5	HTDK13.5-0511	5X11.5	20.4	20.4~20.7	9.5	24/24	10
	PG16	HTDK16-0612	6.5X12	22.5	22.522.8	9.5	26/26	10
	PG16	HTDK16-0614	6X14	22.5	22.5~22.8	9.5	26/26	10
	PG16	HTDK16-0712	7X12	22.5	22.5~22.8	9.5	26/26	10
	PG16	HTDK16-0714	7X14	22.5	22.5~22.8	9.5	26/26	10
	PG21	HTDK21-0614	6X14	28.3	28.3~28.7	12	32/32	10
	PG21	HTDK21-0714	7X14	28.3	28.3~28.7	12	32/32	10
	PG29	HTDK29-0822	8X22	37	37~37.4	12.5	41/41	10
	PG36	HTDK36-1028	10X28.5	47	47~47.4	15	50/50	5
	PG36	HTDK36-0529	5.5X29	47	47~47.4	15	50/50	5
	NPT3/8"	HTDK17-0610	6X10	17.1	-	13	22	10
	NPT1/2"	HTDK21-0612	6.5X15	21.3	-	13	26	10
	NPT1/2"	HTDK21-0614	6X14	21.3	-	13	26	10
	NPT1/2"	HTDK21-0712	7X12	21.3	-	13	26	10
	NPT1/2"	HTDK21-0714	7X14	21.3	-	13	26	10
	NPT3/4"	HTDK26-0614	6X14	26.6	-	14	32	10
	NPT3/4"	HTDK26-0714	7X14	26.6	-	14	32	10
	NPT1"	HTDK33-0822	8X22	33.5	-	15	41	10
NPT11/4"	HTDK42-1028	10X28.5	42.2	-	15	50	5	
NPT11/4"	HTDK42-0529	5.5X29	42.2	-	15	50	5	

## E-10 直通式黄铜电缆接头

螺牙规格: 公制牙 (Metric)、PG牙、G(PF/BSP/PS)牙、NPT牙。

产品材质: A.C.F部分以黄铜镀镍制成; E部分采用UL认可之尼龙PA66(防火等级UL94V-2)制成;

B.D部分采用三元乙丙耐候橡胶制成。

保护等级: IP68-10

工作温度: 静态-40°C至100°C, 或瞬间可耐热至120°C。(可定制-60°C至220°C)

产品特性: 特殊夹紧爪与夹紧圈之设计, 夹紧电缆范围大, 抗拉力特强, 可防水、防尘、抗盐、耐弱酸、酒精、油、油脂及一般溶剂。

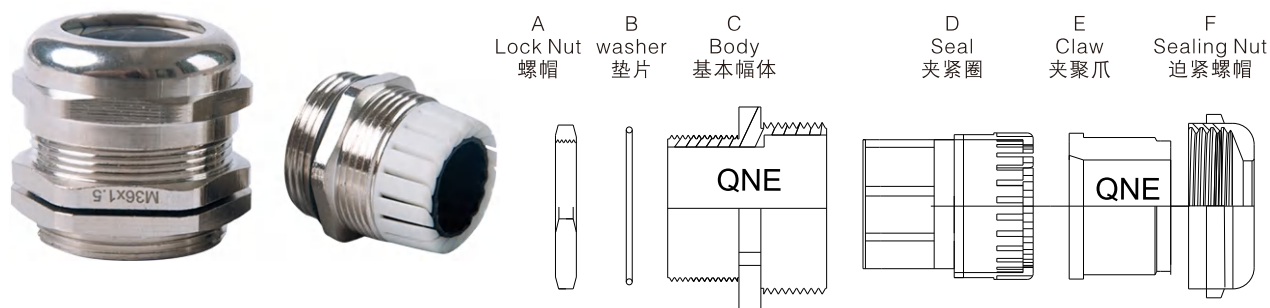
Thread: Metric, PG, G(PF), and NPT thread

Materials: Brass with nickle plated for A.C.F parts. UL approved Nylon PA66(Fiammability UL94V-2) for E parts, EPDM rubber for B. D parts

Protection degree: P68-10Bar

Working temperature: -40°C to 100°C in staticstate, or instantaneous heat resistance up to 120°C

Features: the claws and seals of excellent design, sealing nut have a "click" sound and re-open, can hold cable firmly and have a wider cable range. Resistant to salt water, weakacid, alcohol,oil,grease and common solvency.



螺牙规格 Thread	电缆范围 Cable Range φ(mm)	螺纹外径 Thread O.D. C1(mm)	螺纹长度 Thread Length C2(mm)	结合长度 Joint Length H (mm)	扳手径 Spanner Size A&F(mm)
HTZTM12x1.5(1)	3-6.5	12	7	19	14
HTZTM14x1.5	4-8	14	7	19	17
HTZTM16x1.5	4-8	16	8	20	18
HTZTM18x1.5	5-10	18	8	21	20
HTZTM20x1.5	6-12	20	8	22	22
HTZTM22x1.5	10-14	22	8	23	24
HTZTM24x1.5	10-14	24	9	25	24/27
HTZTM25x1.5	10-14	25	9	25	24/27
HTZTM25x1.5	13-18	25	9	27	30/27
HTZTM27x1.5(2)	13-18	27	9	27	30
HTZTM28x1.5(2)	13-18	28	9	27	30
HTZTM30x1.5(2)	13-18	30	9	29	30/32
HTZTM32x1.5(2)	15-22	32	10	29	35
HTZTM33x1.5(2)	15-22	33	10	29	35
HTZTM36x1.5(2)	18-25	36	10	31	40
HTZTM37x1.5(2)	18-25	37	10	31	40
HTZTM40x1.5(2)	18-25	40	111	31	40/45

## E-10 直通式黄铜电缆接头

螺牙规格 Thread	电缆范围 Cable Range φ(mm)	螺纹外径 Thread O.D. C1(mm)	螺纹长度 Thread Length C2(mm)	结合长度 Joint Length H (mm)	扳手径 Spanner Size A&F(mm)
HTZTM40x1.5(2)	22-30	40	11	35	45
HTZTM42x1.5(2)	22-30	42	11	35	45
HTZTM47x1.5(2)	25-33	47	11	37	50
HTZTM48x1.5(2)	25-33	48	11	37	50/52
HTZTM50x1.5(2)	32-38	50	12	37	50/55
HTZTM54x1.5(2)	32-38	54	12	38	57
HTZTM56x1.5(2)	32-38	56	12	38	57/59
HTZTM60x1.5(2)	37-44	60	13	38	64
HTZTM63x1.5(2)	37-44	63	13	38	64/68
HTZTM64x1.5(2)	37-44	64	13	38	64/68
HTZTM72x2	42-52	72	15	42	77
HTZTM75x2	42-52	75	15	42	77
HTZTM80x2	55-62	80	15	45	88
HTZTM88x2	65-70	88	15	45	94
HTZT100x2	78-84	100	15	45	110

螺牙规格 Thread	电缆范围 Cable Range φ(mm)	螺纹外径 Thread O.D. C1(mm)	螺纹长度 Thread Length C2(mm)	结合长度 Joint Length H (mm)	扳手径 Spanner Size A&F(mm)
HTZTPG7	3-6.5	12.5	7	19	14
HTZTPG9	4-8	15.2	8	20	17
HTZTPG11	5-10	18.6	8	21	20/21
HTZTPG13.5	6-12	20.4	8	22	22
HTZTPG16	10-14	22.5	9	23	24
HTZTPG19	10-14	25	9	25	24/27
HTZTPG21	13-18	28.3	9	27	30
HTZTPG25	15-22	32	10	29	35
HTZTPG29	18-25	37	11	31	40
HTZTPG36	25-33	47	12	37	50
HTZTPG42	32-38	54	13	38	57
HTZTPG48	37-44	59.3	14	38	64
HTZTPG63	42-52	72	15	42	77
HTZTG(PF)1/4"	3-6.5	13.1	7	19	14

E-10 直通式黄铜电缆接头

螺牙规格 Thread	电缆范围 Cable Range Φ(mm)	螺纹外径 Thread O.D. C1(mm)	螺纹长度 Thread Length C2(mm)	结合长度 Joint Length H (mm)	扳手径 Spanner Size A&F(mm)
HTZTG(PF)3/8"	4-8	16.6	8	19	18
HTZTG(PF)1/2"	6-12	20.9	8	22	22
HTZTG(PF)3/4"	13-18	26.4	9	25	30
HTZTG(PF)1"	18-25	33.2	11	29	40
HTZTG(PF)1 1/4"	25-33	41.9	13	35	50
HTZTG(PF)1 1/2"	32-38	48	14	37	57
HTZTG(PF)2"	37-44	59.6	14	38	64
HTZTG(PF)2 1/2"	42-52	75.1	15	38	77
HTZTG(PF)3"	65-70	87.8	15	48	94
HTZTNPT1/4"	3-6.5	13.1	7	19	14
HTZTNPT3/8"	4-8	16.6	8	19	18
HTZTNPT1/2"	6-12	20.9	8	22	22
HTZTNPT3/4"	13-18	26.5	9	25	30
HTZTNPT1"	18-25	33.2	11	29	40
HTZTNPT1 1/4"	25-33	41.9	13	35	50
HTZTNPT1 1/2"	32-38	48	14	37	57
HTZTNPT2"	37-44	60	14	38	64
HTZTNPT2"	42-52	72.6	15	38	77
HTZTNPT3"	65-70	88.6	15	45	94
HTZTPG7	3-6.5	12.5	7	19	14
HTZTPG9	4-8	15.2	8	20	17
HTZTPG11	5-10	18.6	8	21	20/21
HTZTPG13.5	6-12	20.4	8	22	22
HTZTPG16	10-14	22.5	9	23	24
HTZTPG19	10-14	25	9	25	24/27
HTZTPG21	13-18	28.3	9	27	30
HTZTPG25	15-22	32	10	29	35
HTZTPG29	18-25	37	11	31	40
HTZTPG36	25-33	47	12	37	50
HTZTPG42	32-38	54	13	38	57
HTZTPG48	37-44	59.3	14	38	64
HTZTPG63	42-52	72	15	42	77
HTZTG(PF)1/4"	3-6.5	13.1	7	19	14

## E-10 直通式黄铜电缆接头

螺牙规格 Thread	电缆范围 Cable Range φ(mm)	螺纹外径 Thread O.D. C1(mm)	螺纹长度 Thread Length C2(mm)	结合长度 Joint Length H (mm)	扳手径 Spanner Size A&F(mm)
HTZTG(PF)3/8"	4-8	16.6	8	19	18
HTZTG(PF)1/2"	6-12	20.9	8	22	22
HTZTG(PF)3/4"	13-18	26.4	9	25	30
HTZTG(PF)1"	18-25	33.2	11	29	40
HTZTG(PF)1 1/4"	25-33	41.9	13	35	50
HTZTG(PF)1 1/2"	32-38	48	14	37	57
HTZTG(PF)2"	37-44	59.6	14	38	64
HTZTG(PF)2 1/2"	42-52	75.1	15	38	77
HTZTG(PF)3"	65-70	87.8	15	48	94
HTZTNPT1/4"	3-6.5	13.1	7	19	14
HTZTNPT3/8"	4-8	16.6	8	19	18
HTZTNPT1/2"	6-12	20.9	8	22	22
HTZTNPT3/4"	13-18	26.5	9	25	30
HTZTNPT1"	18-25	33.2	11	29	40
HTZTNPT1 1/4"	25-33	41.9	13	35	50
HTZTNPT1 1/2"	32-38	48	14	37	57
HTZTNPT2"	37-44	60	14	38	64
HTZTNPT2"	42-52	72.6	15	38	77
HTZTNPT3"	65-70	88.6	15	45	94

## E-11 不锈钢电缆接头

螺牙规格：公制牙 (Metric)、PG牙、G(PF/BSP/PS)牙、NPT牙。

产品材质：A.C.F部分以黄铜镀镍制成；E部分采用UL认可之尼龙PA66(防火等级UL94V-2)制成；B.D部分采用三元乙丙耐候橡胶制成。

保护等级：IP68-10

工作温度：静态-40°C至100°C，或瞬间可耐热至120°C。（可定制-60°C至220°C）

产品特性：特殊夹紧爪与夹紧圈之设计，夹紧电缆范围大，抗拉力特强，可防水、防尘、抗盐、耐弱酸、酒精、油、油脂及一般溶剂。

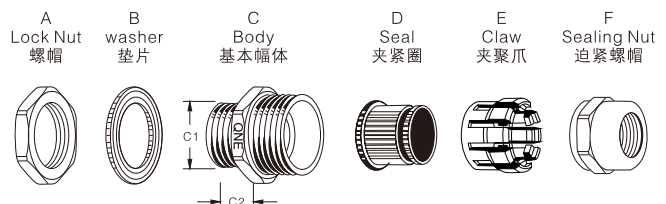
Thread: Metric, PG, G(PF), and NPT thread

Materials: Brass with nickel plated for A.C.F parts. UL approved Nylon PA66(FIammability UL94V-2) for E parts, EPDM rubber for B. D parts

Protection degree: P68-10Bar

Working temperature: -40°C to 100°C in static state, or instantaneous heat resistance up to 120°C

Features: the claws and seals of excellent design, sealing nut have a "click" sound and re-open, can hold cable firmly and have a wider cable range. Resistant to salt water, weak acid, alcohol, oil, grease and common solvency.



E-11 不锈钢电缆接头

螺牙规格 Thread	编号 Item.No.	电缆范围 Cable Range Φ(mm)	螺纹外径 Thread O.D. C1(mm)	螺纹长度 Thread Length C2(mm)	扳手径 Spanner Size A&F(mm)	包装 Std Pkg (pcs)
M6x1	BXG-M6-3	1.5-3	6	6	9/9	20
M8x1.25	BXG-M8-3.8	2-3.8	8	6	12/12	20
M10x1.5	BXG-M10-5.5	2-6.5	10	6.5	14/14	20
M12x1.5	BXG-M12S-5.5	2-6.5	12	7	14/14	20
	BXG-M12-5.5	3-5.5	12	8	17/17	10
	BXG-M12-7.8	4.5-8	12	8	17/17	10
M16x1.5	BXG-M16S-5.5	3-5.5	16	9	18/18	10
	BXG-M16S-7.8	4.5-8	16	9	18/18	10
	BXG-M16-7	4-7	16	9	22/22	10
	BXG-M16-10	6-10	16	9	22/22	10
M20x1.5	BXG-M20S-8.8	4-8.8	20	9.5	24/24	10
	BXG-M20S-12.5	7-12.5	20	9.5	24/24	10
	BXG-M20-11	7-11	20	9.5	26/26	10
	BXG-M20-14	9-14	20	9.5	26/26	10
M25x1.5	BXG-M25S-11	7-11	25	12	26/26	10
	BXG-M25S-14	9-14	25	12	26/26	10
	BXG-M25-16	12-16	25	12	32/32	10
	BXG-M25-18	14-18	25	12	32/32	10
M32x1.5	BXG-M32-22	16-22	32	12.5	40/40	10
	BXG-M32-25	18-25	32	12.5	40/40	10
M40x1.5	BXG-M40-26	21-26	40	15	50/50	10
	BXG-M40-31	24-31	40	15	50/50	10
M50x1.5	BXG-M50-33	25-33	50	15	60/60	10
	BXG-M50-41	31-41	50	15	60/60	10
M63x1.5	BXG-M63-45	35-45	63	17	70/70	5
PG7	BXG-P07S-5.5	2-6.5	12.5	7	14/14	20
	BXG-PG7-5.5	3-5.5	12.5	8	17/17	10
	BXG-PG7-7.8	4.5-8	12.5	8	17/17	10
PG9	BXG-PG9-5.5	3-5.5	15.2	8	18/18	10
	BXG-PG9-7.8	4.5-8	15.2	8	18/18	10
PG11	BXG-PG11-7	4-7	18.6	9	22/22	10
	BXG-PG11-10	6-10	18.6	9	22/22	10
PG13.5	BXG-PG13.5-8.8	4-8.8	20.4	9.5	24/24	10
	BXG-PG13.5-12.5	7-12.5	20.4	9.5	24/24	10
PG16	BXG-PG16-11	7-11	22.5	9.5	26/26	10
	BXG-PG16-14	9-14	22.5	9.5	26/26	10
PG21	BXG-PG21-16	12-16	28.3	12	32/32	10
	BXG-PG21-18	14-18	28.3	12	32/32	10
PG29	BXG-PG29-22	16-22	37	12.5	40/40	10
	BXG-PG29-25	18-25	37	12.5	40/40	10
PG36	BXG-PG36-26	21-26	47	15	50/50	10
	BXG-PG36-31	24-31	47	15	50/50	10
PG42	BXG-PG42-33	25-33	54	15	60/60	10
	BXG-PG42-41	31-41	54	15	60/60	10
PG48	BXG-PG48-45	35-45	59.3	17	70/70	5

## E-12 防水金属软管接头

螺牙规格：公制牙(Metric)、PG牙、G(PF/BSP/PS)牙、NPT牙。

产品材质：C.F部分以黄铜镀镍制成；A.D部分为铁，E部分为TPE；B部分三元乙丙橡胶。

保护等级：IP66

工作温度：-40°C至100°C

应用：连接金属软管，起到防水保护线缆的作用。

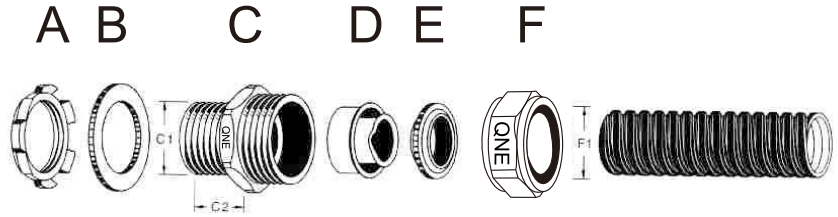
Thread: Metric, PG, G(PF), and NPT thread

Materials: Brass with nickel plated for C, F parts; metal for A, D parts; TPE plastic for parts; EPDM rubber for B part.

Protection degree: P66

Working temperature: -40°C to 100°C

Application: Connect metal flexible conduit fitting to protect cables and waterproof.



型号 ItemNo.	螺纹外径 Outer Diameter (C1) mm	最小通径 Inner Diameter mm	螺纹长度 Thread Length (C2) mm	结合长度 Total Length mm	扳手径 Spanner Size	导管尺寸Conduit Size	
						Inch英寸	mm毫米
FSJTM16X1.5	16	13.8	10	31	25.7	3/8	12
FSJTM20X1.5	20	14.8	12	38.1	28.6	1/2	16
FSJTM25X1.5	25	18.8	13.5	42.9	34.9	3/4	20
FSJTM32X1.5	32	25.8	17.5	46	42.4	1	25
FSJTM40X1.5	40	33.4	18	48.5	53	1-1/4	32
FSJTM50X1.5	50	39.3	23	58.5	59	1-1/2	38
FSJTM63X1.5	63	49.2	28	66.8	74	2	51
FSJTPEG11	18.6	13.8	10	31	25.7	3/8	12
FSJTPEG16	22.5	14.8	12	38.1	28.6	1/2	16
FSJTPEG21	28.3	18.8	13.5	42.9	34.9	3/4	20
FSJTPEG29	37	25.8	17.5	46	42.4	1	25
FSJTPEG36	47	33.4	18	48.5	53	1-1/4	32
FSJTPEG42	54	39.3	23	58.5	59	1-1/2	38
FSJTPEG48	59.3	49.2	28	66.8	74	2	51
FSJTNPT3/8"	16.6	13.8	10	31	25.7	3/8	12
FSJTNPT1/2"	20.9	14.8	12	38.1	28.6	1/2	16
FSJTNPT3/4"	26.4	18.8	13.5	42.9	34.9	3/4	20
FSJTNPT1"	33.2	25.8	17.5	46	42.4	1	25
FSJTNPT1 1/4"	41.9	33.4	18	48.5	53	1-1/4	32
FSJTNPT1 1/2"	48	39.3	23	58.5	59	1-1/2	38
FSJTFSJTNPT2"	60	49.2	28	66.8	74	2	51
FSJTG(PF)3/8"	16.6	13.8	10	31	25.7	3/8	12
FSJTG(PF)1/2"	20.9	14.8	12	38.1	28.6	1/2	16
FSJTG(PF)3/4"	26.4	18.8	13.5	42.9	34.9	3/4	20
FSJTG(PF)1"	33.2	25.8	17.5	46	42.4	1	25
FSJTG(PF)1 1/4"	41.9	33.4	18	48.5	53	1-1/4	32
FSJTG(PF)1 1/2"	48	39.3	23	58.5	59	1-1/2	38
FSJTG(PF)2"	60	49.2	28	66.8	74	2	51

## E-13 PA 非阻燃尼龙软管

产品材质: PA6尼龙( Pol amide)

工作温度: -40°C至125°C, 短时可达140°C

产品结构: 开口型和闭口型。

产品特性: 柔韧性好、抗扭曲、弯曲性能好, 可以承受较重的负载; 耐酸、润滑油、冷却液等; 表面有光泽、耐摩擦。

承载能力: 可以承受脚踩的重压, 不断裂、不变形, 可以迅速恢复, 并且本身无任何损伤。

颜色种类: 黑色, 其它颜色可定做(根据需要可开口)。

应用领域: 机械制造、电气绝缘保护、照明设备、汽车制造、航空设备、地铁、火车、自动化控制等行业。

使用方法: 将电线电缆插入管内, 再配上软管接头对应的型号使用即可。

Materials: NYLON PA6

Working temperature:-40C to 125C, 140C can be reached but kept only for a short time

Style: close and split

Colour: Black, other color available upon request.

Property: Good flexibility, twist resistance and good bending performance, able to bear heavy loads, acid resistant, lubritant and coolant resistantant luster on surface and abrasion resistant.

Load bear ing capacity: able to bear the heavy pressure from treading of feet without cracking or deformation. It can promptly recoil with no damages.

Application: Machinery building. electrical insulating protection, illuminating equipment, automobile manufacturing, flight equipments metro, trains and automatic control, etc.



软管规格 Specification(AD)	英寸(inch)	型号 Item.No.	内径x外径 Inner diameter x Outer diameter (mm)	弯曲半径 Curved radius (mm)	包装 Std.Pkg (pcs)
AD100	1/4	PA-FZR-10.0	6.5x10.0	16	100
AD13.0	5/16	PA-FZR-13.0	10.0x13.0	20	100
AD15.8	3/8	PA-FZR-15.8	12.0x15.8	30	100
AD18.5		PA-FZR-18.5	14.3x18.5	40	100
AD21.2	1/2	PA-FZR-21.2	17.0x21.2	45	100
AD25.0		PA-FZR-25.0	20.0x25.0	45	50
AD28.5	3/4	PA-FZR-28.5	23.0x28.5	50	50
AD31.5		PA-FZR-31.5	26.0x31.5	55	50
AD34.5	1	PA-FZR-34.5	29.0x34.5	60	50
AD42.5	1 1/4	PA-FZR-42.5	36.0x42.5	70	25
AD54.5	2	PA-FZR-54.5	48.0x54.5	90	25

## E-13 PA 阻燃尼龙软管

产品材质: PA6尼龙(Polamide), 阻燃等级FV-0

工作温度: -40°C至125°C, 短时可达140°C

产品结构: 开口型和闭口型。

产品特性: 柔韧性好、抗扭曲、弯曲性能好, 可以承受较重的负载; 耐酸、润滑油、冷却液等; 表面有光泽、耐摩擦。

承载能力: 可以承受脚踩的重压, 不断裂、不变形, 可以迅速恢复, 并且本身无任何损伤。

颜色种类: 黑色, 其它颜色可定做(根据需要可开口)。

应用领域: 机械制造、电气绝缘保护、照明设备、汽车制造、航空设备、地铁、火车、自动化控制等行业。

使用方法: 将电线电缆插入管内, 再配上软管接头对应的型号使用即可。

Materials: NYLON PA6-V0

Working temperature:-40C to 125C, 140C can be reached but kept only for a short time

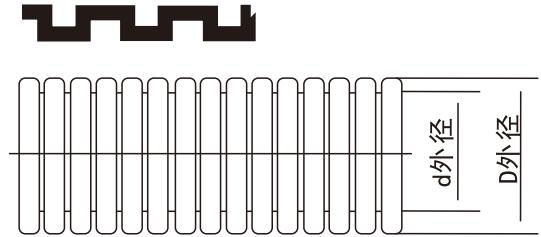
Style: close and split

Colour: Black, other color available upon request.

Property: Good flexibility, twist resistance and good bending performance, able to bear heavy loads, acid resistant, lubricant and coolant resistant luster on surface and abrasion resistant.

Load bearing capacity: able to bear the heavy pressure from treading of feet without cracking or deformation. It can promptly recoil with no damages.

Application: Machinery building, electrical insulation protection, illuminating equipment, automobile manufacturing, flight equipments



软管规格 Specification(AD)	英寸(inch)	型号 Item.No.	内径x外径 Inner diameterxOuter diameter (mm)	弯曲半径 Curved radius (mm)	包装 Std.Pkg (pcs)
AD10.0	1/4	PA-ZR-10.0	6.5x10.0	16	100
AD13.0	5/16	PA-ZR-13.0	10.0x13.0	20	100
AD15.8	3/8	PA-ZR-15.8	12.0x15.8	30	100
AD18.5		PA-ZR-18.5	14.3x18.5	40	100
AD21.2	1/2	PA-ZR-21.2	17.0x21.2	45	100
AD25.0		PA-ZR-25.0	20.0x25.0	45	50
AD28.5	3/4	PA-ZR-28.5	23.0x28.5	50	50
AD31.5		PA-ZR-31.5	26.0x31.5	55	50
AD34.5	1	PA-ZR-34.5	29.0x34.5	60	50
AD42.5	1 1/4	PA-ZR-42.5	36.0x42.5	70	25
AD54.5	2	PA-ZR-54.5	48.0x54.5	90	25

## E-14 PP 非阻燃软管

软管规格 Specification(AD)	英寸(inch)	型号 Item.No.	内径x外径 Inner diameterxOuter diameter (mm)	弯曲半径 Curved radius (mm)	包装 Std.Pkg (pcs)
AD100	1/4	PP-FZR-10.0	6.5x10.0	16	100
AD13.0	5/16	PP-FZR-13.0	10.0x13.0	20	100
AD15.8	3/8	PP-FZR-15.8	12.0x15.8	30	100
AD18.5		PP-FZR-18.5	14.3x18.5	40	100
AD21.2	1/2	PP-FZR-21.2	17.0x21.2	45	100
AD25.0		PP-FZR-25.0	20.0x25.0	45	50
AD28.5	3/4	PP-FZR-28.5	23.0x28.5	50	50
AD31.5		PP-FZR-31.5	26.0x31.5	55	50
AD34.5	1	PP-FZR-34.5	29.0x34.5	60	50
AD42.5	1 1/4	PP-FZR-42.5	36.0x42.5	70	25
AD54.5	2	PP-FZR-54.5	48.0x54.5	90	25

## E-14 PP 阻燃软管

产品材质: PP聚乙烯(Polypropylene), 阻燃等级FV-0

工作温度: -30°C至100°C, 短时可达110°C

产品结构: 开口型和闭口型。

产品特性: 柔韧性好、抗扭曲、弯曲性能好, 可以承受较重的负载; 耐酸、润滑油、冷却液等; 表面有光泽、耐摩擦。

承载能力: 可以承受脚踩的重压, 不断裂、不变形, 可以迅速恢复, 并且本身无任何损伤。

颜色种类: 黑色, 其它颜色可定做(根据需要可开口)。

应用领域: 机械制造、电气绝缘保护、照明设备、汽车制造、航空设备、地铁、火车、自动化控制等行业。

使用方法: 将电线电缆插入管内, 再配上软管接头对应的型号使用即可。

Materials: PP(Polypropylene)-V0

Working temperature:-30C to 100C, 110C can be reached but kept only for a short time

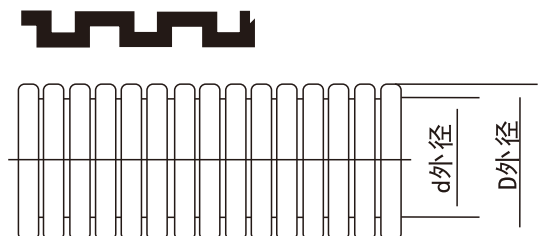
Style: close and split

Colour: Black, other color available upon request.

Property: Good flexibility, twist resistance and good bending performance, able to bear heavy loads, acid resistant, lubricant and coolant resistant luster on surface and abrasion resistant.

Load bearing capacity: able to bear the heavy pressure from treading of feet without cracking or deformation. It can promptly recoil with no damages.

Application: Machinery building, electrical insulating protection, illuminating equipment, automobile manufacturing, flight equipments metro, trains and automatic control, etc.



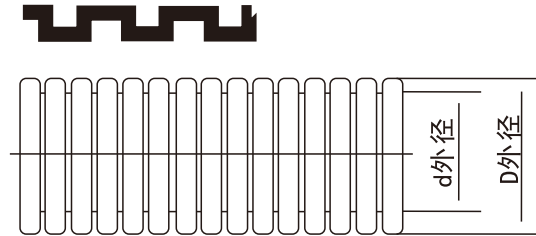
## E-14 PP 阻燃软管

软管规格 Specification(AD)	英寸(inch)	型号 Item.No.	内径x外径 Inner diameterxOuter diameter (mm)	弯曲半径 Curved radius (mm)	包装 Std.Pkg (pcs)
AD10.0	1/4	PP-ZR-10.0	6.5x10.0	16	100
AD13.0	5/16	PP-ZR-13.0	10.0x13.0	20	100
AD15.8	3/8	PP-ZR-15.8	12.0x15.8	30	100
AD18.5		PP-ZR-18.5	14.3x18.5	40	100
AD21.2	1/2	PP-ZR-21.2	17.0x21.2	45	100
AD25.0		PP-ZR-25.0	20.0x25.0	45	50
AD28.5	3/4	PP-ZR-28.5	23.0x28.5	50	50
AD31.5		PP-ZR-31.5	26.0x31.5	55	50
AD34.5	1	PP-ZR-34.5	29.0x34.5	60	50
AD42.5	1 1/4	PP-ZR-42.5	36.0x42.5	70	25
AD54.5	2	PP-ZR-54.5	48.0x54.5	90	25

## E-15 PE 非阻燃软管

产品材质: PE聚乙烯(Polypropylene)  
 工作温度: -30°C至110°C, 短时可达110°C  
 产品结构: 开口型和闭口型。  
 产品特性: 性价比高, 比较轻便。  
 承载能力: 不可踩压。  
 颜色种类: 黑色, 其它颜色可定做(根据需要可开口)。  
 应用领域: 保护电线, 电缆等。  
 使用方法: 将电线电缆插入管内, 再配上软管接头对  
 应的型号使用即可。

Product material: PE polyethylene (Polypropylene)  
 Working temperature: -30°C to 110°C, short-term up to 110°C  
 Product structure: open type and closed type.  
 Product features: cost-effective, relatively lightweight.  
 Carrying capacity: Do not step on.  
 Color type: black, other colors can be customized (can be opened according to needs).  
 Applications: Protection of wires, cables, etc.  
 How to use: Insert the wire and cable into the tube, and then use it with the corresponding  
 model of the hose connector.



软管规格 Specification(AD)	英寸(inch)	型号 Item.No.	内径x外径 Inner diameterxOuter diameter (mm)	弯曲半径 Curved radius (mm)	包装 Std.Pkg (pcs)
AD7.5		PE-FZR-10.0			200
Ad10	1/4	PE-FZR-13.0	6.5x10.0		200
AD11.6		PE-FZR-15.8	8.0x11.6	16	100
Ad13	5/16	PE-FZR-18.5	10x13	20	100
Ad14	3/8	PE-FZR-21.2		30	100
AD15.8		PE-FZR-25.0	12.0x15.8	40	100
AD18.5	1/2	PE-FZR-28.5	14.0x18.5	45	100
AD21.2		PE-FZR-31.5	17.0x21.2	45	100
Ad25	3/4	PE-FZR-34.5	20.0x25.0	50	100
AD28.5		PE-FZR-42.5	23.0x28.5	55	50
AD34.5	1	PE-FZR-54.5	29.0x34.5	60	50
AD42.5	1 1/4	PE-FZR-54.5	36.0x42.5	70	50
AD54.5	2	PE-FZR-54.5	48.0x54.5	90	25

## E-16 PVC包塑金属软管

产品材质: 内部由热镀锌钢带绕制而成, 外覆PVC。  
 颜色种类: 黑色、灰色  
 工作温度: C-25°C ~90°C  
 保护等级: IP68  
 使用方式: 先将电线穿入管内, 再配合蛇管固定头使用即可。  
 用途: 保护电线及绝缘、防水用, 并可增进电线弯曲的美观。

Material: Its core consists of hot dipped galvanized steel, external covered with a laver of PVC.

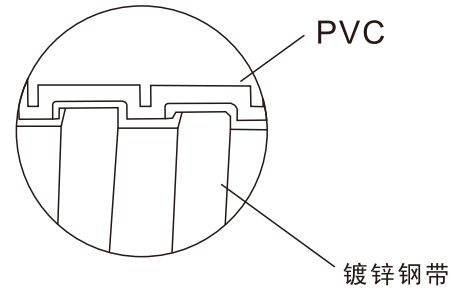
Colors: black, gray

Working Temperature: -25°C~90°C

Protection level: Ip68

Using Method: Inserting the wire or cable into the conduit and the equipped with the metal flexible conector.

Application: Protect the cable, Waterproof.



公制直径 Metric System	英寸(inch)	内径 Inner Diameter (mm)		外径 Outer Diameter (mm)		包装 Std.Pkg (pcs)
		最小 Min	最大 Max	最小 Min	最大 Max	
BC-10	5/16"	9.9	10.2	13	13.3	50
BC-12	3/8"	12.3	12.6	15.4	15.7	50
BC-13		13.3	13.6	15.4	15.7	50
BC-15		14.5	14.8	17.4	17.7	50
BC-16	1/2"	15.5	15.8	19.4	19.7	50
BC-20	3/4"	20.4	20.7	24.4	24.7	50
BC-25	1"	25.5	26	29.6	30.1	50
BC-32	1 1/4"	32.7	33.2	37.7	38.2	25
BC-38	1 1/2"	38.5	39	44.7	45.2	25
BC-51	2"	50.5	51	58.2	58.7	20
BC-64	2 1/2"	62.3	63	70.3	71	10
BC-75	3"	74.4	74.9	83.3	83.8	10
BC-100	4"	97.5	98.5	108.5	108.8	10

## E-17 防水浪管接头

螺牙规格：公制牙 (Metric)、PG牙、G(PF/BSP/PS)牙、NPT牙。

产品材质：A.C.F部分采用UL认可之无卤素(Halogen-Free) 尼龙PA66(防火等级UL94V-2)制成；  
(可定制UL认可的V-0防火等级尼龙原料)；B.D部分采用三元乙丙(EPDM)耐候橡胶制成；  
(可定制耐寒、耐高温橡胶；耐高酸碱、耐化学与抗腐蚀橡胶)。

保护等级：IP68-10

工作温度：-40°C至100°C

产品特性：本款高性能防水尼龙浪管盒接头能完善地抗水压，是一款即使拉扯波纹管也可能完全保持气密的产品。  
产品广泛应用于移动式的自动化设备之防水、防油与气密的场合。

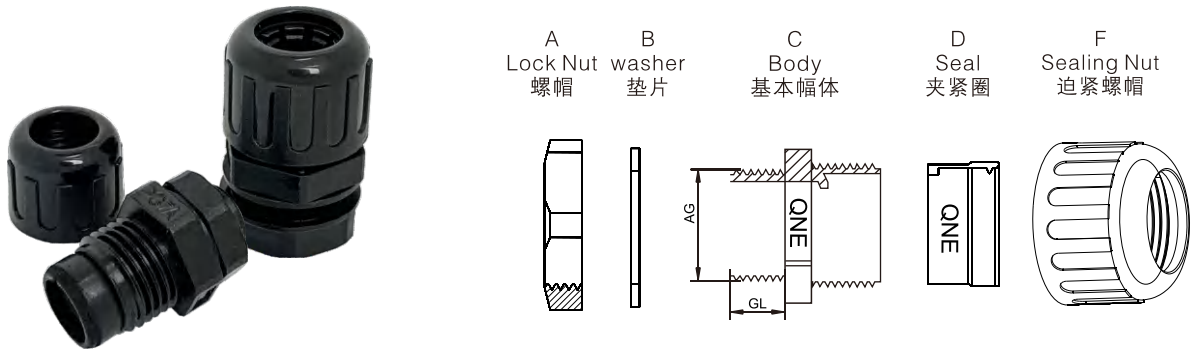
Thread: Metric, PG, G(PF), and NPT thread

Materials: UL approved Nylon PA66(Fiammability UL94V-2) for A. C. F parts,  
(Accept to make fiammability UL 94V-0), EPDM rubber for B. D parts  
(Accept to make super rubber: Resist high temperature rubber, resist strong acid/alkali, etc)

Protection degree: P68-10Bar

Working temperature: -40°C to 100°C

Features: The powerful Watertight fittings build the best tightening power by a very high and active compression force to resist the ingress of high pressure water jet from any angle which can provide 100% dynamic waterproof and airtight performance over the widest range of corrugated tubings.



适配软管 Accommodated Pipes	编号Item.No.	螺牙规格Thread	螺纹外径T QuterdiameaterThreadLengtGL AG(mm)	螺纹长度 (m)	包装 SidPkg (pcs)
AD10.0	WTF-M10-10.0	M12x1.5	12	9	50
	WTF-M12-10.0	M12x1.5	12	9	50
	WTF-M16-10.0-ST	M16x1.5	16	10	50
AD13.0	WTF-M16-13.0-ST	M16x1.5	16	10	50
	WTF-M16-13.0	M16x1.5	16	15	50
AD15.8	WTF-M16-15.8-ST	M16x1.5	16	10	50
	WTF-M16-15.8	M16x1.5	16	15	50
	WTF-M20-15.8-ST	M20x1.5	20	10	50
	WTF-M20-15.8	M20x1.5	20	15	50
	WTF-M22-15.8-ST	M22x1.5	22	10	50
	WTF-M22-15.8	M22x1.5	22	15	50
	WTF-M25-15.8-ST	M25x1.5	25	12	50
AD18.5	WTF-M16-18.5-ST	M16x1.5	16	10	50
	WTF-M16-18.5	M16x1.5	16	15	50
	WTF-M20-18.5-ST	M20x1.5	20	10	50
	WTF-M20-18.5	M20x1.5	20	15	50
	WTF-M22-18.5-ST	M22x1.5	22	10	50
	WTF-M22-18.5	M22x1.5	22	15	50
	WTF-M25-18.5-ST	M25x1.5	25	12	50
AD21.2	WTF-M20-21.2-ST	M20x1.5	20	10	50
	WTF-M20-21.2	M20x1.5	20	15	50
	WTF-M25-21.2-ST	M25x1.5	25	10	50
	WTF-M25-21.2	M25x1.5	25	15	50
AD25.0	WTF-M20-25-ST	M20x1.5	20	10	50
	WTF-N20-25	M20x1.5	20	15	50
	WTF-M25-25-ST	M25x1.5	25	10	50
	WTF-M25-25	M25x1.5	25	15	50

E-17 防水浪管接头

适配软管 Accommodated Pipes	编号Item.No.	螺牙规格Thread	螺纹外径T QuaterdiameterThreadLengtGL AG(mm)	螺纹长度 (m)	包装 SidPkg (pcs)
AD26.2	WTF-M20-26.2-ST	M20x1.5	20	10	50
	WTF-M20-26.2	M20x1.5	20	15	50
	WTF-M25-26.2-ST	M25x1.5	25	10	50
	WTF-M25-26.2	M25x1.5	25	15	50
AD28.5	WTF-M25-28.5-ST	M25X1.5	25	10	50
	WTF-M25-28.5	M25X1.5	25	15	50
AD34.5	WTF-M32-34.5-ST	M32X1.5	32	10	20
	WTF-M32-34.5	M32X1.5	32	15	20
AD42.5	WTF-M40-42.5	M40X1.5	40	15	10
	WTF-M50-42.5	M50X1.5	50	15	10
AD48.5	WTF-M50-48.5	M50X1.5	50	15	10
AD54.5	WTF-M50-54.5	M50X1.5	50	22	10
	WTF-M63-54.5	M63X1.5	63	25	10

适配软管 Accommodated Pipes	编号Item.No.	螺牙规格Thread	螺纹外径T QuaterdiameterThreadLengtGL AG(mm)	螺纹长度 (m)	包装 SidPkg (pcs)
AD10.0	WTF-PG7-10.0	PG7	12.5	9	50
	WTF-PG9-10.0	PG9	15.2	9	50
AD13.0	WTF-PG11-13.0	PG11	18.6	10	50
AD15.8	WTF-PG13.5-15.8	PG13.5	20.4	10	50
	WTF-PG16-15.8	PG16	22.5	10.8	50
AD18.5	WTF-PG13.5-18.5	PG13.5	20.4	10	50
	WTF-PG16-18.5	PG16	22.5	10.8	50
AD21.2	WTF-PG16-21.2	PG16	22.5	13	50
	WTF-PG21-21.2	PG21	28.3	13	50
AD25.0	WTF-PG16-25	PG16	22.5	13	50
	WTF-PG21-25	PG21	28.3	13	50
AD26.2 AD28.5	WTF-PG16-26.2	PG16	22.5	13	50
	WTF-PG21-26.2	PG21	28.3	13	50
AD34.5	WTF-PG21-28.5	PG21	28.3	13	50
	WTF-PG29-34.5	PG29	37	13	20
AD42.5	WTF-PG36-42.5	PG36	47	13	10
AD48.5	WTF-PG42-48.5	PG42	54	16	10
AD54.5	WTF-PG48-54.5	PG48	59.3	16	10
AD10.0	WTF-PF1/4-10.0	G(PF)1/4"	13.1	9	50
AD13.0	WTF-PF3/8-13.0	G(PF)3/8"	16.6	15	50
AD15.8	WTF-PF1/2-15.8	G(PF)1/2"	20.9	15	50
AD18.5	WTF-PF1/2-18.5	G(PF)1/2"	20.9	15	50
AD21.2	WTF-PF1/2-21.2	G(PF)1/2"	20.9	15	50
	WTF-PF3/4-21.2	6(PF)3/4"	26.4	15	50
AD25.0	WTF-PF1/2-25	6(PF)1/2"	20.9	15	50
	WTF-PF3/4-25	G(PF)3/4"	26.4	15	50
AD26.2	WTF-PF1/2-26.2	G(PF)1/2"	20.9	15	50
	WTF-PF3/4-26.2	G(PF)3/4"	26.4	15	50
AD28.5	WTF-PF3/4-28.5	G(PF)3/4"	26.4	15	50
AD34.5	WTF-PF1-34.5	G(PF)1"	33.2	15	20
AD42.5	WTF-PF1 1/4-42.5	G(PF)1 1/4"	41.9	15	10
AD54.5	WTF-PF1 1/2-54.5	G(PF)1 1/2"	48	15	10
	WTF-PF2-54.5	G(PF)2"	60	15	10

## E-18 高抗拉波纹管接头

螺牙规格：公制牙 (Metric)、PG牙、G(PF/BSP/PS)牙、NPT牙。

产品材质：A.C.F部分采用UL认可之无卤素(Halogen-Free) 尼龙PA66(防火等级UL94V-2)制成；  
(可定制UL认可的V-0防火等级尼龙原料)；B.D部分采用三元乙丙(EPDM)耐候橡胶制成；  
(可定制耐寒、耐高温橡胶；耐高酸碱、耐化学与抗腐蚀橡胶)。

保护等级：IP68-10

工作温度：-40°C至100°C

产品特性：本款高性能防水尼龙浪管盒接头能完善地抗水压，是一款即使拉扯波纹管也可能完全保持气密的产品。  
产品广泛应用于移动式的自动化设备之防水、防油与气密的场合。

Thread: Metric, PG, G(PF), and NPT thread

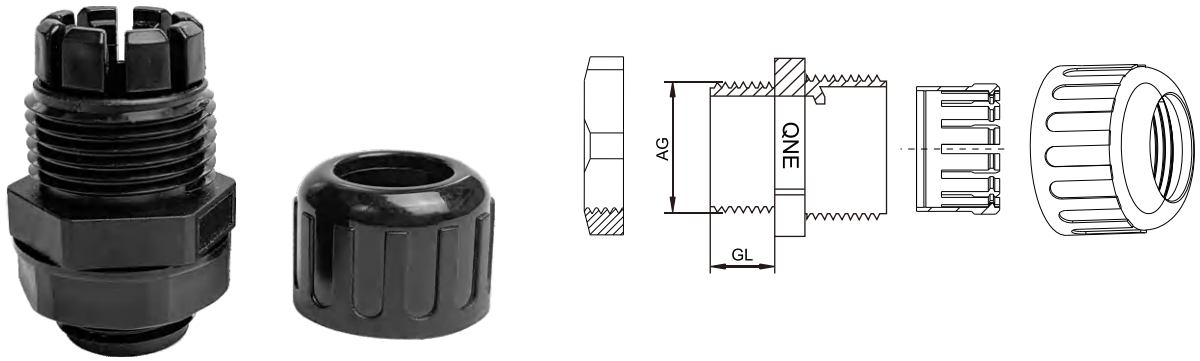
Materials: UL approved Nylon PA66(Fiammability UL94V-2) for A. C. F parts,  
(Accept to make fiammability UL 94V-0), EPDM rubber for B. D parts

(Accept to make super rubber: Resist high temperature rubber, resist strong acid/alkali, etc)

Protection degree: P68-10Bar

Working temperature: -40°C to 100°C

Features: The powerful Watertight fittings build the best tightening power by a very high and active compression force to resist the ingress of high pressure water jet from any angle which can provide 100% dynamic waterproof and airtight performance over the widest range of corrugated tubings.



适配软管 Accommodated Pipes	编号 Item. No	螺牙规格 Thread	螺纹外径 AG Outer dianeter (mm)	螺纹长度 Thread Lengt GL (mm)	包装 Std.Pkg (pcs)
AD10.0	WSTF-M12-10.0	M12x1.5	12	9	50
	WSTF-M16-10.0-ST	M16x 1.5	16	10	50
AD13.0	WSTF-M16-13.0-ST	M16x1.5	16	10	50
	WSTF-M16-13.0	M16x1.5	16	15	50
AD15.8	WSTF-M16-15.8-ST	M16x1.5	16	10	50
	WSTF-M16-15.8	M16x1.5	16	15	50
	WSTF-M20-15.8-ST	M20x1.5	20	10	50
	WSTF-M20-15.8	M20x1.5	20	15	50
	WSTF-M22-15.8-ST	M22x1.5	22	10	50
	WSTF-M22-15.8	M22x1.5	22	15	50
AD18.5	WSTF-M25-15.8-ST	M25x1.5	25	12	50
	WTF-M16-18.5-ST	M16x1.5	16	10	50
	WTF-M16-18.5	M16x1.5	16	15	50
	WTF-M20-18.5-ST	M20 x 1.5	20	10	50
	WTF-M20-18.5	M20 x1.5	20	15	50
	WTF-M22-18.5-ST	M22x1.5	22	10	50
AD21.2	WTF-M22-18.5	M22x1.5	22	15	50
	WTF-M25-18.5-ST	M25 x1.5	25	12	50
	WTF-M20-21.2-ST	M20 x1.5	20	10	50
	WTF-M20-21.2	M20 x1.5	20	15	50
AD25.0	WTF-M25-21.2-ST	M25x1.5	25	10	50
	WTF-M25-21.2	M25x1.5	25	15	50
	WTF-M25-25.0-ST	M25x1.5	25	10	50
	WTF-M25-25.0	M25x1.5	25	15	50

## E-18 高抗拉波纹管接头

适配软管 Accommodated Pipes	编号 Item. No	螺牙规格 Thread	螺纹外径 AG Outer diameter (mm)	螺纹长度 Thread Length GL (mm)	包装 Std.Pkg (pcs)
AD28.5	WTF-M25-28.5-ST	M25x1.5	25	10	50
	WTF-M25-28.5	M25 x1,5	25	15	50
AD34.5	WTF-M32-34.5-ST	M32x1.5	32	10	20
	WTF-M32-34.5	M32x1.5	32	15	20
AD42.5	WTF-M40-42.5	M40X1.5	40	15	10
	WTF-M50-42.5	M50X1.5	50	15	10
AD48.5	WTF-M50-48.5	M50X1.5	50	15	10
AD54.5	WTF-M50-54.5	M50X1.5	50	22	10
	WTF-M63-54.5	M63X1.5	63	25	10

适配软管 Accommodated Pipes	编号 Item. No	螺牙规格 Thread	螺纹外径 AG Outer diameter (mm)	螺纹长度 Thread Length GL (mm)	包装 Std.Pkg (pcs)
AD10.0	WTF-PG7-10.0	PG7	12.5	9	50
	WTF-PG9-10.0	PG9	15.2	9	50
AD13.0	WTF-PG11-13.0	PG11	18.6	10	50
AD15.8	WTF-PG13.5-15.8	PG13.5	20.4	10	50
	WTF-PG16-15.8	PG16	22.5	10.8	50
AD18.5	WTF-PG13.5-18.5	PG13.5	20.4	10	50
	WTF-PG16-18.5	PG16	22.5	10.8	50
AD21.2	WTF-PG16-21.2	PG16	22.5	13	50
	WTF-PG21-21.2	PG21	28.3	13	50
AD28.5	WTF-PG21-28.5	PG21	28.3	13	50
AD34.5	WTF-PG29-34.5	PG29	37	13	20
AD42.5	WTF-PG36-42.5	PG36	47	13	10
AD54.5	WTF-PG48-54.5	PG48	59.3	16	10

适配软管 Accommodated Pipes	编号 Item. No	螺牙规格 Thread	螺纹外径 AG Outer diameter (mm)	螺纹长度 Thread Length GL (mm)	包装 Std.Pkg (pcs)
AD10.0	WTF-PF1/4-10.0	G(PF)1/4"	13.1	9	50
AD13.0	WTF-PF3/8-13.0	G(PF)3/8"	16.6	15	50
AD15.8	WTF-PF1/2-15.8	G(PF)1/2"	20.9	15	50
AD18.5	WTF-PF1/2-18.5	G(PF)1/2"	20.9	15	50
AD21.2	WTF-PF1/2-21.2	G(PF)1/2"	20.9	15	50
	WTF-PF3/4-21.2	G(PF)3/4"	26.4	15	50
AD28.5	WTF-PF3/4-28.5	Q(PF)3/4"	26.4	15	50
AD34.5	WTF-PF1-34.5	G(PF)1"	33.2	15	20
AD42.5	WTF-PF11/4-42.5	G(PF)11/4"	41.9	15	10
AD54.5	WTF-PF11/2-54.5	G(PF)11/2"	48	15	10
	WTF-PF2-54.5	G(PF)2"	60	15	10

## E-19 超级抗接快速浪管接头

材 质：尼龙PA66

用 法：1 先将本体套入基板，再以螺帽固定，  
2 将浪管插入本体中，再以迫紧头作正向旋转迫紧。

颜色种类：黑色及灰色(可定制色系)

螺牙规格：公制牙(MetrG(PF/BSP/PS)牙、PG牙(可定做)

性 能：具有完美超级的抗拉力，适用所有浪管(PP/PE/PA)及其他软管无视软管的材质及性能  
解决开口式浪管衔接固定问题，具有快速安装完美抗拉及防水性能

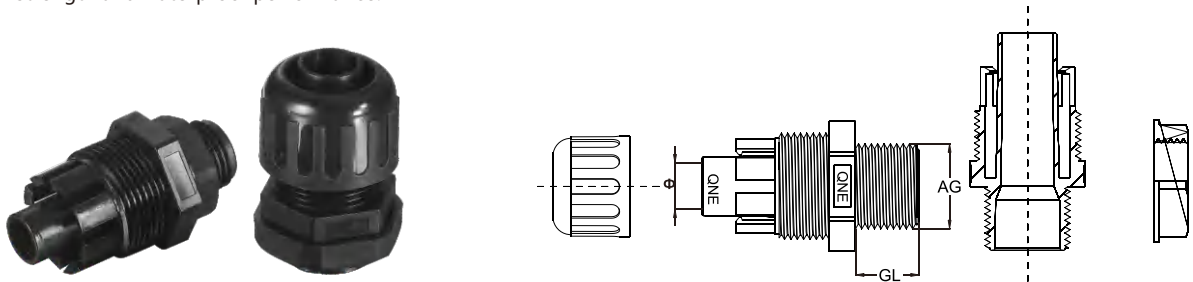
Material: Nylon Pa66

Install for use: 1 Put the body of corrugated tubing fittings into panel mounting hole, assembly can then be secured in the panel by the locknut  
2 Insert the corrugated tubing into the tubing fittings, then tightens the domed sealing nut.

color: Black, light grey, other color available upon request.

Tread type: Metric, PG thread. other threads available upon request.

Application: Superb pullout strength, suitable for each material (PA/PE/Pp)corrugated tubing etc, ignore the material of corrugated tubing and performance, can solve the issues of split plastic corrugated tubing to join and fixed, can quick-fit to assemble, superb pullout strength and waterproof performance.



适配软管 Accommodated Pipes	适穿线缆 $\phi$ (mm)	编号 Item. No.	螺牙规格 Thread	螺纹外径 AG Outer diameter (mm)	螺纹长度 Thread Lengt GL (mm)	包装 Std.Pkg (pcs)
AD15.8	$\phi$ 9.5	WQNE-M16-15.8	M16X1.5	16	15	50
	$\phi$ 9.5	WQNE-M20-15.8	M20X1.5	20	15	50
	$\phi$ 9.5	WQNE-PG16-15.8	PG16	22.5	10.8	50
AD18.5	$\phi$ 10.2	WQNE-M16-18.5	M16X1.5	16	15	50
	$\phi$ 10.2	WQNE-M20-18.5	M20X1.5	20	15	50
	$\phi$ 12	WQNE-PG16-18.5	PG16	22.5	10.8	50

## E-20 尼龙材质金属软管接头

螺牙规格：公制牙(Metric)、G(PF/BSP/PS)牙及PG牙

产品材质：UL认可之尼龙PA66制成(防火等级UL94V-2)。

颜色种类：黑色及灰色

工作温度：静态-40°C至100°C，或瞬间可耐热至120

适用范围：可结合自5/16"到2"之被覆金属蛇管规格使用。

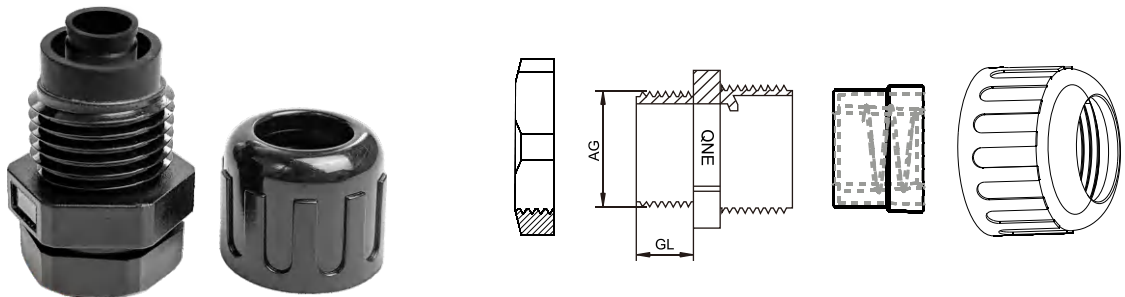
Thread : Metric PG, G(PF), and NPT thread

Material: UL approved Nylon Pa66 (Flammability UL 94V-2)

Colours: Black(RAL9005), Gray(ral7035)

Working temperature: -40°C to 100°C

Application: Connect metal flexible conduit to provide strong pull-out strength and anti-vibration function; waterproof



## E-20 尼龙材质金属软管接头

适配金属软管 Accommodated Pipes	编号Item. No	螺牙规格Thread	螺纹外径 Outer diameter AG (mm)	螺纹长度 Thread Length GL (mm)	包装 Std.Pkg (pcs)
5/16" 管	WM16-AD15.8-ST	M16X1.5	16	10	50
	WM16-AD15.8-ST	M16 x1.5	16	15	50
3/8" 管	WM16-AD15.8-ST	M16 x1.5	16	10	50
	WM16-AD15.8	M16X1.5	16	15	50
1/2" 管	WM20-AD21.2-ST	M20X1.5	20	10	50
	WM20-AD21.2	M20 x1.5	20	15	50
3/4" 管	WM25-AD26.2-ST	M25X1.5	25	10	50
	WM25-AD26.2	M25X1.5	25	15	50
1" 管	WM32-AD34.5-ST	M32X1.5	32	10	20
	WM32-34.5	M32X1.5	32	15	20
1 1/4" 管	WM40-AD42.5	M40 x1.5	40	15	10
1 1/2" 管	WM50-AD48	M50X1.5	50	15	10
2" 管	WM63-AD54.5	M63 x 1.5	63	25	10
5/16" 管	WPG16-15.8	PG16	22.5	10.8	50
3/8" 管	WPG16-15.8	PG16	22.5	10.8	50
1/2" 管	WPG16-21.2	PG16	22.5	13	50
3/4" 管	WPG21-28.5	PG21	28.3	13	50
1" 管	WPG29-34.5	PG29	37	13	20
5/16" 管	WPF1/2-15.8	G(PF)1/2"	20.9	15	50
3/8" 管	WPF1/2-18.5	G(PF)1/2"	20.9	15	50
1/2" 管	WPF1/2-21.2	G(PF)1/2"	20.9	15	50
3/4" 管	WPF3/4-28.5	G(PF)3/4"	26.4	15	50
1" 管	WPF1-34.5	G(PF)1"	33.2	15	20
1 1/4" 管	WPF11/4-42.5	G(PF)11/4"	41.9	15	10
1 1/2" 管	WPF11/2-48	G(PF)11/2"	48	15	10
2" 管	WPF2-54.5	G(PF)2"	60	15	10

## E-21 金属电缆浪管接头

螺牙规格：公制牙 (Metric)、PG牙、G(PF/BSP/PS)牙、NPT牙。

产品材质：A.C.F部分以黄铜镀镍制成；E部分以UL认可之尼龙PA66制成(防火等级UL94V-2)；B.D部分采用三元乙丙耐候橡胶制成；

保护等级：IP68-10

工作温度：静态-40°C至100°C，或瞬间可耐热至120°C(可定制-60°C至220°C)

产品特性：特殊夹紧爪与夹紧圈之设计，夹紧电缆范围大，抗拉力特强，可防水、防尘、抗盐、耐弱酸、酒精、油、油脂及一般溶剂。

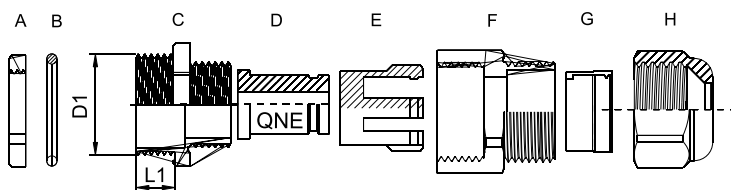
Thread: Metric, PG, G(PF), and NPT thread

Materials: Brass with nickel plated for A.C.F.H parts, UL approved Nylon P66(Fiammability UL94V-2) for E parts, EPDM rubber for B. D parts

Protection degree: P68-10Bar

Working temperature: -40°C to 100°C in static state, or instantaneous heat resistance up to 120°C

Features: the claws and seals of excellent design, sealing nut have a "click" sound and re-open, can hold cable firmly and have a wider cable range. Resistant to salt water, weak acid, alcohol, oil, grease and common solvency.



## E-21 金属电缆浪管接头

螺牙规格 Thread	编号Item. No	电缆范围Cable Range	适配软管 Accommodated Pipes	螺纹外径 Thread O.D. D1 (mm)	螺纹长度 Thread Length L1 (mm)	扳手径 Spanner Size	包装 Std.Pkg (pcs)
M12X1.5	JSM12-AD10.0	3-6	AD10.0	12	6	16	100
M14X1.5	JSM14-AD10.0	3-6	AD10.0	14	6	16	100
M16X1.5	JSM16-AD13.0	4-8	AD13.0	16	7	18	100
M18X1.5	JSM18-AD15.8	6-10	AD15.8	18	8	20	100
M20X1.5	JSM20-AD15.8	8-12	AD15.8	20	8	22	100
M20X1.5	JSM20-AD18.5	8-12	AD18.5	20	8	22	100
M20X1.5	JSM20-AD21.2	8-12	AD21.2	20	8	22	100
M22X1.5	JSM22-AD21.2	10-14	AD21.2	22	9	24	100
M24X1.5	JSM24-AD21.2	10-14	AD21.2	24	10	27	100
M25X1.5	JSM25-AD21.2	10-14	AD21.2	25	10	28	100
M25X1.5	JSM25-AD28.5	10-14	AD28.5	25	10	28	100
M27X1.5	JSM27-AD28.5	13-18	AD28.5	27	11	30	100
M30X1.5	JSM30-AD34.5	13-18	AD34.5	30	11	32	50
M32X1.5	JSM32-AD34.5	15-22	AD34.5	32	11	36	50
M33X1.5	JSM33-AD34.5	15-22	AD34.5	33	11	36	50
M36X1.5	JSM36-AD34.5	18-25	AD34.5	36	11	42	50
M40X1.5	JSM40-AD42.5	18-25	AD42.5	40	12	45	50
M50X1.5	JSM50-AD54.5	26-32	AD54.5	50	13	56	20
M63X1.5	JSM63-AD54.5	37-44	AD54.5	63	14	70	20
PG7	JSPG7-AD10.0	3-6	AD10.0	12.5	6	16	100
PG9	JSPG9-AD13.0	4-8	AD13.0	15.2	7	16	100
PG11	JSPG11-AD15.8	6-10	AD15.8	18.6	8	20	100
PG13.5	JSPG13.5AD15.8	8-12	AD15.8	20.4	8	22	100
PG13.5	JSPG13.5AD21.2	8-12	AD21.2	20.4	8	22	100
PG13.5	JSPG13.5AD21.2	8-12	AD21.2	20.4	8	22	100
PG16	JSPG16-AD21.2	10-14	AD21.2	22.5	9	24	100
PG21	JSPG21-AD28.5	13-18	AD28.5	28.3	11	30	100
PG29	JSPG29-AD34.5	18-25	AD34.5	37	11	42	50
PG36	JSPG36-AD42.5	26-32	AD42.5	47	13	52	50
PG48	JSPG48-AD54.5	37-44	AD54.5	59.3	14	64	50
G(PF)1/4"	JSG 1/4-AD10.0	3-6	AD10.0	13.2	6	16	100
G(PF)3/8"	JSG 3/8-AD13.0	4-8	AD13.0	26.5	7	18	100
G(PF)1/2"	JSG 1/2-AD15.8	8-12	AD15.8	21.3	8	22	100
G(PF)1/2"	JSG 1/2-AD21.2	8-12	AD21.2	21.3	8	22	100
G(PF)1/2"	JSG 1/2-AD21.2	8-12	AD21.2	21.3	8	22	100
G(PF)3/4"	JSG 3/4-AD28.5	13-18	AD28.5	26.6	11	30	100
G(PF)1"	JSG 1-AD28.5	15-22	AD28.5	33.4	11	36	50
G(PF)1 1/4"	JSG 1-1/4-AD34.5	22-28	AD34.5	42.1	12	48	50
G(PF)1 1/2"	JSG 1-1/2-AD42.5	26-32	AD42.5	47.8	13	52	50
G(PF)2"	JSG 2-AD54.5	37-44	AD54.5	59.6	14	64	50
NPT3/8"	JSNPT3/8-AD13.0	4-8	AD13.0	16.5	7	18	100
NPT1/2"	JSNPT1/2-AD15.8	8-12	AD15.8	21.3	8	22	100
NPT1/2"	JSNPT1/2-AD21.2	8-12	AD21.2	21.3	8	22	100
NPT1/2"	JSNPT1/2-AD21.2	8-12	AD21.2	21.3	8	22	100
NPT3/4"	JSNPT3/4-AD21.2	13-18	AD21.2	26.6	11	30	100
NPT3/4"	JSNPT3/4-AD28.5	13-18	AD28.5	26.6	11	30	50
NPT1"	JSNPT1-AD34.5	15-22	AD34.5	33.4	11	36	50

## E-22 内螺纹防水浪管接头

螺牙规格：公制牙 (Metric)

产品材质：塑料部分采用UL认可之无卤素(Halogen-Free) 尼龙PA66(防火等级UL94V-2)制成；  
(可定制UL认可的V-0防火等级尼龙原料)；B.D部分采用三元乙丙(EPDM)耐候橡胶制成；  
(可定制耐寒、耐高温橡胶；耐高酸碱、耐化学与抗腐蚀橡胶)。

保护等级：IP68

工作温度：静态-40°C至100°C，或瞬间可耐热至120°C；动态-20°C至80°C，或瞬间可耐热至100°C。

产品特性：本款高性能防水尼龙浪管盒接头能完美地抗水压，是一款即使拉扯波纹管也可能完全保持气密的产品。

产品广泛应用于移动式的自动化设备之防水、防油与气密的场合。

颜色种类：黑色、灰色，其它颜色可定做。

Thread: Metric

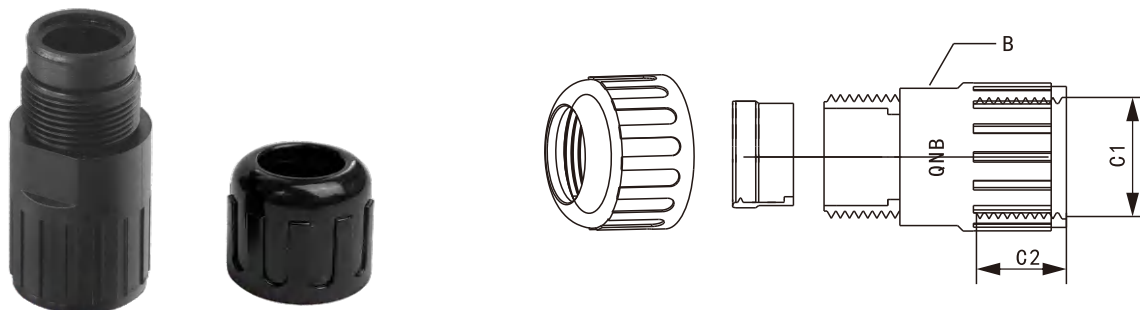
Materials: UL approved Nylon PA66(Fiammability UL94V-2) ,(Accept to make fiammability UL 94V-0), EPDM rubber  
(Accept to make super rubber: Resist high temperature rubber, resist strong acid/alkali, etc)

Protection degree: P68

Working temperature: -40°C to 100°C in staticstate, or instantaneous heat resistance up to 120°C; -20°C to 80°C in  
dynamicstate, or instantaneous heat resistance up to 100°C

Features: The powerful Watertight fittings build the perfect tightening power to resect ingress of high pressure water which can connect  
the curragated conduit tightly and waterproof.

Color: black(RAI9005), grey(RAI7035), other color available upon request.



适配软管 Accommodated Pipes	编号Item. No.	螺纹外径 Outer diameter AG (mm)	螺纹长度 Thread Lengt GL (mm)	扳手径 Spanner Size
AD13	WNWTF-M20-AD13	20x1.5	15	23
AD15.8	WNWTF-M25-AD15.8	25x1.5	15	27
AD18.5	WNWTF-M25-AD18.5	25x1.5	15	27

## E-23 90°C防水浪管接头

螺牙规格：公制牙 (Metric)、PG牙、G(PF/BSP/PS)牙、NPT牙。

产品材质：A.C.F部分采用UL认可之无卤素(Halogen-Free) 尼龙PA66(防火等级UL94V-2)制成；  
(可定制UL认可的V-0防火等级尼龙原料)；B.D部分采用三元乙丙(EPDM)耐候橡胶制成；  
(可定制耐寒、耐高温橡胶；耐高酸碱、耐化学与抗腐蚀橡胶)。

保护等级：IP68-10

工作温度：-40°C至100°C

产品特性：本款高性能防水尼龙浪管盒接头能完善地抗水压，是一款即使拉扯波纹管也可能完全保持气密的产品。

产品广泛应用于移动式的自动化设备之防水、防油与气密的场合。

Thread: Metric, PG, G(PF), and NPT thread

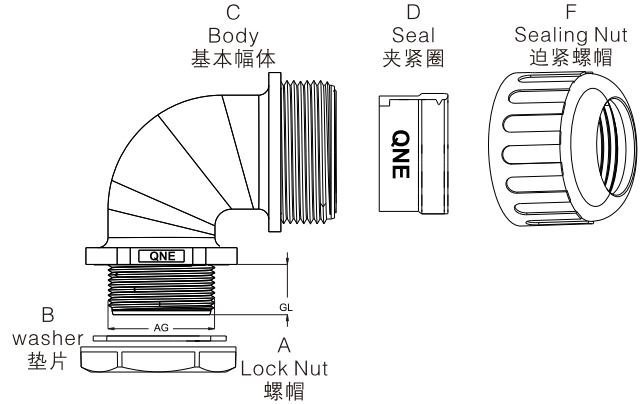
Materials: UL approved Nylon PA66(Fiammability UL94V-2) for A. C. F parts,  
(Accept to make fiammability UL 94V-0), EPDM rubber for B. D parts  
(Accept to make super rubber: Resist high temperature rubber, resist strong acid/alkali, etc)

Protection degree: P68-10Bar

Working temperature: -40°C to 100°C

Features: The powerful Watertight fittings build the best tightening power by a very high and active compression force  
to resist the ingress of high pressure water jet from any angle which can provide 100% dynamic waterproof  
and airtight performance over the widest range of corrugated tubings.

## E-23 90°C防水浪管接头



适配软管 Accommodated Pipes	编号Item. No.	螺牙规格 Thread	螺纹外径 Outer diameter AG (mm)	螺纹长度 Thread Length GL (mm)	幅体最小通径 Body Min. L.D(mm)	包装 Std.Pkg (pcs)
AD13.0	LWTF-M16-13.0-ST	M16x1.5	16.0	10.0	10.7	50
AD15.8	LWTF-M16-15.8-ST	M16x1.5	16.0	10.0	11.1	50
	LWTF-M16-15.8	M16x1.5	16.0	15.0	11.0	50
	LWTF-M20-15.8-B-ST	M20x1.5	20.0	10.0	14.7	50
	LWTF-M20-15.8	M20x1.5	20.0	15.0	14.7	50
AD18.5	LWTF-M16-18.5-ST	M16x1.5	16.0	10.0	11.0	50
	LWTF-M16-18.5	M16x1.5	16.0	15.0	11.0	50
	LWTF-M20-18.5-ST	M20x1.5	20.0	10.0	14.7	50
	LWTF-M20-18.5	M20x1.5	20.0	15.0	14.7	50
AD21.2	LWTF-M20-21.2-ST	M20x1.5	20.0	10.0	14.8	50
	LWTF-M20-21.2	M20x1.5	20.0	15.0	14.8	50
AD25.0	LWTF-M25-25.0-ST	M25x1.5	25.0	10.0	19.2	50
	LWTF-M25-25.0	M25x1.5	25.0	15.0	19.2	50
AD28.5	LWTF-M25-28.5-ST	M25x1.5	25.0	10.0	19.9	50
	LWTF-M25-28.5	M25x1.5	25.0	15.0	19.9	50
AD34.5	LWTF-M32-34.5	M32x1.5	32.0	15.0	26.2	20
AD42.5	LWTF-M40-42.5	M40x1.5	40.0	20.0	34.0	10

## E-24 90°尼龙电缆防水接头（分体）

螺牙规格：公制牙 (Metric)、PG牙、G(PF/BSP/PS)牙、NPT牙。

产品材质：A.C.E.F部分采用UL认可之尼龙PA66(防火等级UL94V-2)制成；(可定制UL认可的V-0防火等级尼龙原料)；

B.D部分采用三元乙丙耐候橡胶制成；(可定制耐寒、耐高温橡胶；耐高酸碱、耐化学与抗腐蚀橡胶)。

保护等级：IP68-10

工作温度：静态-40°C至100°C，或瞬间可耐热至120°C；动态-20°C至80°C，或瞬间可耐热至100°C。

产品特性：特殊夹紧爪与夹紧圈之设计，夹紧电缆范围大，抗拉力特强，可防水、防尘、抗盐、耐弱酸、酒精、油、油脂及一般溶剂。

颜色种类：黑色、灰色，其它颜色可定做。

Thread: Metric, PG, G(PF), and NPT thread

Materials: UL approved Nylon PA66(Fiammability UL94V-2) for A. C. F parts,

(Accept to make fiammability UL 94V-0), EPDM rubber for B. D parts

(Accept to make super rubber: Resist high temperature rubber, resist strong acid/alkali, etc)

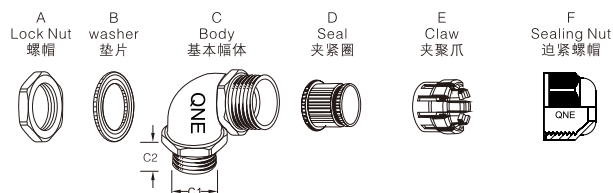
Protection degree: P68-10Bar

Working temperature: -40°C to 100°C in staticstate, or instantaneous heat resistance up to 120°C; -20°C to 80°C in dynamicstate, or instantaneous heat resistance up to 100°C

Features: the claws and seals of excellent design, sealing nut have a "click" sound and re-open, can hold cable firmly and have a wider cable range. Resistant to salt water, weakacid, alcohol,oil,grease and common solvency

Colours: Black(RAL9005), gray(RAL7035), other color available upon request

## E-24 90°尼龙电缆防水接头（分体）



螺牙规格 Thread	编号 Item. No.	电缆范围 Cable Range ∅ (mm)	螺纹外径 Thread O.D. C1 (mm)	螺纹长度 Thread Length C2 (mm)	扳手径 Spanner Size A&F (mm)	包装 Std.Pkg (pcs)
M16x1.5	LCG-M16A-7-ST	4-7	16	10	22/22	50
	LCG-M16A-10-ST	6-10	16	10	22/22	50
M20x1.5	LCG-M20A-11	6-11	20	15	27/27	50
	LCG-M20A-14	9-14	20	15	27/27	50
M25x1.5	LCG-M25A-16	10-16	25	15	33/33	50
	LCG-M25A-18	13-18	25	15	33/33	50
M32x1.5	LCG-M32A-22	15-22	32	15	41/42	10
	LCG-M32A-25	18-25	32	15	41/42	10
M40x1.5	LCG-M40A-26	20-26	40	20	50/52	10
	LCG-M40A-31	24-31	40	20	50/52	10

## E-25 内螺纹电缆接头

螺牙规格：公制牙 (Metric)

产品材质：塑料部分采用UL认可之无卤素(Halogen-Free) 尼龙PA66(防火等级UL94V-2)制成；  
(可定制UL认可的V-0防火等级尼龙原料)；B.D部分采用三元乙丙(EPDM)耐候橡胶制成；  
(可定制耐寒、耐高温橡胶；耐高酸碱、耐化学与抗腐蚀橡胶)。

保护等级：IP68

工作温度：静态-40°C至100°C，或瞬间可耐热至120°C；动态-20°C至80°C，或瞬间可耐热至100°C。

产品特性：特殊夹聚爪与夹紧圈之设计，夹聚电缆范围大，抗拉力特强，可防水、防尘、抗盐、耐弱酸、酒精、油、油脂及一般溶剂。

颜色种类：黑色、灰色，其它颜色可定做。

Thread: Metric

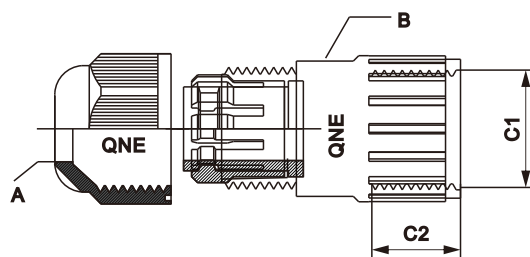
Materials: UL approved Nylon PA66(Fiammability UL94V-2) ,(Accept to make fiammability UL 94V-0), EPDM rubber  
(Accept to make super rubber: Resist high temperature rubber, resist strong acid/alkali, etc)

Protection degree: P68

Working temperature: -40°C to 100°C in staticstate, or instantaneous heat resistance up to 120°C; -20°C to 80°C in dynamicstate, or instantaneous heat resistance up to 100°C

Features: the claws and seals of excellent design, sealing nut have a "click" sound and re-open, can hold cable firmly and have a wider cable range. Resistant to salt water, weakacid, alcohol,oil,grease and common solvency.

Color: black(RAI9005), grey(RAI7035), other color available upon request.



## E-25 内螺纹电缆接头

编号 Item.No.	电缆范围 Cable Range φ(mm)	螺纹内径 Thread inside Diameter C1(MM)	螺纹长度 Thread Length C2(mm)	扳手径 Spanner Size A&F(mm)	包装 Std.Pkg (pcs)
WNNCG-M20-H1-5	3-5	20x1.5	15	22/23	50
WNNCG-M20-H1-7	4-7	20x1.5	15	22/23	50
WNNCG-M20-H1-10	6-10	20x1.5	15	22/23	50
WNNCG-M20-H2-4	2.5-4	20x1.5	15	22/23	50
WNNCG-M20-H3-3	2-3	20x1.5	15	22/23	50
WNNCG-M20-H3-4	2.5-4	20x1.5	15	22/23	50
WNNCG-M20-H4-3.2	2-3.2	20x1.5	15	22/23	50
WNNCG-M20-H5-2.5	1.8-2.5	20x1.5	15	22/23	50
WNNCG-M20-H6-2.5	1.8-2.5	20x1.5	15	22/23	50
WNNCG-M25-H1-6.2	4-6	25x1.5	15	27/27	50
WNNCG-M25-H1-11	8-11	25x1.5	15	27/27	50
WNNCG-M25-H1-14	10-14	25x1.5	15	27/27	50
WNNCG-M25-H2-6	4-6	25x1.5	15	27/27	50
WNNCG-M25-H2-3	2-3	25x1.5	15	27/27	50
WNNCG-M25-H3-5	3-5	25x1.5	15	27/27	50
WNNCG-M25-H4-2.5	1.2-2.5	25x1.5	15	27/27	50
WNNCG-M25-H4-3.5	2-3.5	25x1.5	15	27/27	50
WNNCG-M25-H4-5	3.5-5	25x1.5	15	27/27	50
WNNCG-M25-H5-3	2-3	25x1.5	15	27/27	50

## E-26 对接式尼龙电缆接头

螺牙规格：公制牙(Metric)、PG牙、G(PF/BSP/PS)牙、NPT牙。

产品材质：UL认可之尼龙PA66(防火等级UL94V-2)制成/UL认可的V-0防火等级尼龙原料)；

三元乙丙耐候橡胶制成；(可定制耐寒、耐高温橡胶；耐高酸碱、耐化学与抗腐蚀橡胶)。

保护等级：IP68

工作温度：-40°C至100°C

产品应用：广泛应用于LED灯线路组合，能够从两端进行连接并提供灯具设计方案。

颜色种类：黑色、灰色，其它颜色可定做。

Thread: Metric, PG, G(PF), and NPT thread

Materials: UL approved Nylon PA66(Fiammability UL94V-2) (Accept to make fiammability UL 94V-0)

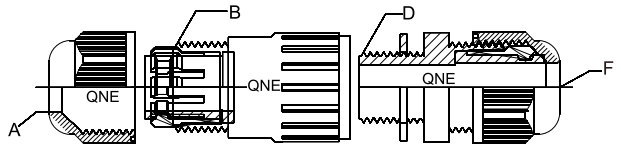
Weater resistant EPDM rubber(Accept to make super rubber: Resist high temperature rubber, resist strong acid/alkali, etc)

Protection degree: P68

Working temperature: -40°C to 100°C in staticstate, or instantaneous heat resistance up to 120°C; -20°C to 80°C in dynamicstate, or instantaneous heat resistance up to 100°C

Application: Widely used in wire connection of LED Light and can be connected from two side.

Colours: Black(RAL9005), gray(RAL7035), other color available upon request



## E-26 对接式尼龙电缆接头

编号 Item.No.	电缆范围 CableRange φ(mm)	电缆范围(可对应QNE强能分体、连体电缆接头使用) CableRange φ(mm)F	扳手径 SpannerSize A&F(mm)	包装 Std.Pkg (pcs)
DJ-M20-7-7	3-7	3-7(DJ-M20M-7)	22/22/23	50
DJ-M20-7-7	3-7	6-10(DJ-M20M-10)	22/22/23	50
DJ-M20-7-9	3-7	5-9(DJ-M20S-9)	22/24/23	50
DJ-M20-7-9	3-7	8-12.5(DJ-M20S-12.5)	22/44/23	50
DJ-M20-7-11	3-7	5-11(DJ-M20-11)	22/27/23	50
DJ-M20-7-14	3-7	9-13.5(DJ-M20-13.5)	22/27/23	50
DJ-M20-10-10	5-10	6-10(DJ-M20M-10)	22/22/23	50
DJ-M20-10-9	5-10	5-9(DJ-M20S-9)	22/24/23	50
DJ-M20-10-9	5-10	8-12.5(DJ-M20S-12.5)	22/24/23	50
DJ-M20-7-11	5-10	5-11(DJ-M20-11)	22/27/23	50
DJ-M20-7-14	5-10	9-14(DJ-M20-12.5)	22/27/23	50
DJ-M25-11-9	5-11	5-9(DJ-M25M-9)	27/24/23	50
DJ-M25-11-12.5	5-11	6-12.5(DJ-M25M-12.5)	27/24/23	50
DJ-M25-11-11	5-11	5-11(DJ-M25S-11)	27/27/27	50
DJ-M25-11-14	5-11	8.5-14(DJ-M25S-14)	27/27/27	50
DJ-M25-11-13	5-11	7-13(DJ-M25-13)	27/33/27	50
DJ-M25-11-17.5	5-11	12.5-18(DJ-M25-17.5)	27/33/27	50
DJ-M25-14-9	5-11	5-9(DJ-M25M-9)	27/24/27	50
DJ-M25-14-12.5	5-11	6-12.5(DJ-M25M-12.5)	27/24/27	50
DJ-M25-14-11	5-11	5-11(DJ-M25S-11)	27/27/27	50
DJ-M25-14-14	5-11	8.5-14(DJ-M25S-14)	27/27/27	50
DJ-M25-14-13	5-11	7-13(DJ-M25-13)	27/33/27	50
DJ-M25-14-17.5	5-11	12.5-18(DJ-M25-17.5)	27/33/27	50

## E-27 夹紧圈塞棒-单孔

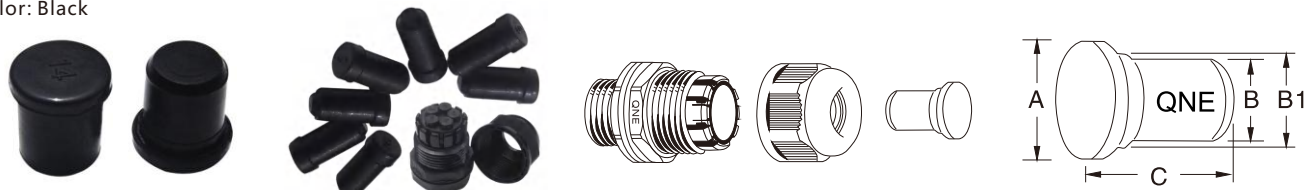
材 质：以EPDM料制成

安装方式：直接将塞棒安插在孔径中,再迫紧螺帽即可。

颜色种类：黑色

适用范围：配合QNE电缆固定头使用

Material: EPDM rubber

Application: To seal spare cable glands and multiple hole seals of cable gland against dust and for water-proof  
color: Black

编号 Item.No.	外径 O.D.			长度 Length C	包装 Std.Pkg (pcs)
	黑色(Black) A	B	B1		
SPD-055A-B	11	5.5	8.7	18	100
SPD-055B-B	9.6	5.5	7.1	18	100
SPD-067-B	9.5	6.7	7.2	18	100
SPD-071-B	13.2	7	10.7	18	100
SPD-079-B	11	7.9	8.7	18	100
SPD-092-B	15.5	9.2	12.7	18	100
SPD-103-B	13.5	10.3	10.7	18	100
SPD-105-B	17	10.5	14.3	18	100
SPD-118-B	17	11.8	14.3	18	100
SPD-120-B	15.5	12	12.7	18	100
SPD-140-B	17	14	14.4	18	100
SPD-158-B	22	15.8	19.3	18	50
SPD-178-B	22	17.8	19.3	18	50
SPD-215-B	28	21.5	25	18	50
SPD-245-B	28	24.5	25	18	50
SPD-262-B	35	26.2	33	20	10
SPD-306-B	36	30.6	33	20	10
SPD-333-B	45	33.3	43.1	20	10
SPD-410-B	46	41	43.1	20	10
SPD-473-B	53	47.3	51.6	20	10
SPD-515-B	54.5	51.5	—	20	

## E-27 夹紧圈塞棒-多孔

编号 Item.No.	外径 O.D.		长度 Length C	包装 Std.Pkg (pcs)
	黑色(Black) A	B		
SPS-020-B	3	2	15	100
SPS-023-B	3	2.3	15	100
SPS-026-B	3.6	2.6	15	100
SPS-030-B	4	3	15	100
SPS-032-B	4.2	3.2	15	100
SPS-034-B	4.4	3.4	15	100
SPS-037-B	4.7	3.7	15	100
SPS-041-B	5.1	4.1	15	100
SPS-050-B	6	5	15	100
SPS-053-B	6.3	5.3	15	100
SPS-060-B	7.5	6	15	100
SPS-070-B	8.5	7	15	100
SPS-073-B	8.5	7.3	15	100
SPS-080-B	9.5	8	15	100
SPS-090-B	10.5	9	15	100
SPS-100-B	11.5	10	15	100

## E-28 电缆波纹管双固定接头

螺牙规格: 公制牙(Metric)、PG牙、G(PF/BSP/PS)牙、NPT牙。

产品材质: 采用UL认可之尼龙PA66(防火等级UL94V-2)制成;(可定制)

工作温度: 静态-40℃至100℃, 或瞬间可耐热至120℃; 动态-20℃至80℃, 或瞬间可耐热至100℃。

产品特性: 特殊夹紧爪与夹紧圈之设计, 夹紧浪管抗压力强, 超快速拔插装卸, 提高安装效率。

颜色种类: 黑色、灰色, 其它颜色可定做。

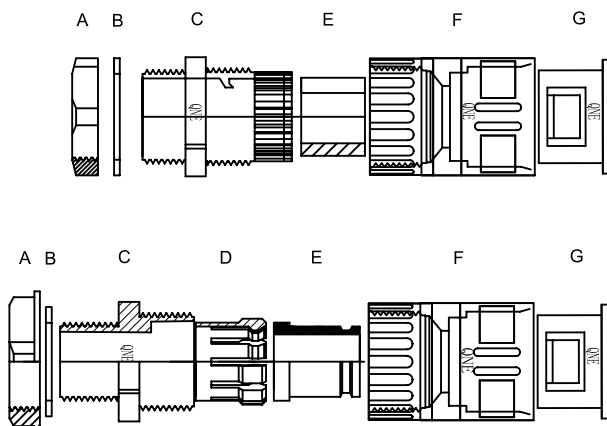
Thread: Metric, PG, G(PF), and NPT thread

Materials: UL approved Nylon PA66(Fiammability UL94V-2), Accept to make

Working temperature: -40°C to 100°C in staticstate, or instantaneous heat resistance up to 120°C; -20°C to 80°C in dynamicstate, or instantaneous heat resistance up to 100°C

Features: the claws of excellent design to provide a fast & safe connection with the tubing and to get an excellent result of the pullout strength to be the best balanced performers for cable protection system.

Colours: Black(RAL9005), gray(RAL7035), other color available upon request



型号(波纹管内螺纹加对应电缆接头型号) Item.No. (Inner thread quick connector fit cable glands)	波纹管 Accommodated Pipes	适配接头(可选择对应QNE电缆接头) Accommodated QNE Cable Glands
SGD-AD13+M12-5	AD13	M12-5
SGD-AD13+M12-7	AD13	M12-7
SGD-AD13+M12L-5	AD13	M12L-5
SGD-AD13+NGG-M12L-7	AD13	M12L-7
SGD-AD13+M16S-5	AD13	M16S-5
SGD-AD13+M16S-8	AD13	M16S-8
SGD-AD13+M16SL-5	AD13	M16SL-5
SGD-AD13+NGG-M16SL-8	AD13	M16SL-8
SGD-AD13+PG7-5	AD13	PG7-5
SGD-AD13+PG7-7	AD13	PG7-7
SGD-AD13+PG9-5.5	AD13	PG9-5.5
SGD-AD13+PG9-7.5	AD13	PG9-7.5
SGD-AD13+PG9L-5.5	AD13	PG9L-5.5
SGD-AD13+NGG-PG9L-7.5	AD13	PG9L-7.5
SGD-AD13+G1/4-5	AD13	G1/4-5
SGD-AD13+G1/4-8	AD13	G1/4-8
SGD-AD13+NPT1/4-5.5	AD13	NPT1/4-5.5
SGD-AD13+NGG-NPT1/4-6.8	AD13	NPT1/4-6.8
SGD-AD13+M12A-5.5	AD13	M12A-5.5
SGD-AD13+NGG-M12A-8	AD13	M12A-8
SGD-AD13+M16AS-5.5-ST	AD13	M16AS-5.5-ST
SGD-AD13+NGG-M16AS-8-ST	AD13	M16AS-8-ST
SGD-AD13+PG7A-5.5	AD13	PG7A-5.5

## E-28 电缆波纹管双固定接头

E

型号(波纹管內螺纹加对应电缆接头型号) Item.No. (Inner thread quick connector fit cable glands)	波纹管 Accommodated Pipes	适配接头(可选择对应QNE电缆接头) Accommodated QNE Cable Glands
SGD-AD13+PG7A-8	AD13	PG7A-8
SGD-AD13+PG9A-5.5	AD13	PG9A-5.5
SGD-AD13+NGG-PG9A-8	AD13	PG9A-8
SGD-AD13+G1/4A-5.5	AD13	G1/4A-5.5
SGD-AD13+G1/4A-8	AD13	G1/4A-8
SGD-AD15.8+M16-7	AD15.8	M16-7
SGD-AD15.8+M16-10	AD15.8	M16-10
SGD-AD15.8+M16L-7	AD15.8	M16L-7
SGD-AD15.8+M16L-10	AD15.8	M16L-10
SGD-AD15.8+M18-7	AD15.8	M18-7
SGD-AD15.8+M18-10	AD15.8	M18-10
SGD-AD15.8+M18L-7	AD15.8	M18L-7
SGD-AD15.8+M18L-10	AD15.8	M18L-10
SGD-AD15.8+M20M-7	AD15.8	M20M-7
SGD-AD15.8+M20M-10	AD15.8	M20M-10
SGD-AD15.8+PG11-7	AD15.8	PG11-7
SGD-AD15.8+PG11-10	AD15.8	PG11-10
SGD-AD15.8+PG11L-7	AD15.8	PG11L-7
SGD-AD15.8+PG11L-10	AD15.8	PG11L-10

型号(波纹管內螺纹加对应电缆接头型号) Item.No. (Inner thread quick connector fit cable glands)	波纹管 Accommodated Pipes	适配接头(可选择对应QNE电缆接头) Accommodated QNE Cable Glands
SGD-AD15.8+G3/8-7	AD15.8	G3/8-7
SGD-AD15.8+G3/8-10	AD15.8	G3/8-10
SGD-AD15.8+NPT3/8-7	AD15.8	NPT3/8-7
SGD-AD15.8+NPT3/8-10	AD15.8	NPT3/8-10
SGD-AD15.8+M16A-7-ST	AD15.8	M16A-7-ST
SGD-AD15.8+M16A-10-ST	AD15.8	M16A-10-ST
SGD-AD15.8+M16AL-7	AD15.8	M16AL-7
SGD-AD15.8+M16AL-10	AD15.8	M16AL-10
SGD-AD15.8+PG11A-7	AD15.8	PG11A-7
SGD-AD15.8+PG11A-10	AD15.8	PG11A-10
SGD-AD15.8+G3/8AL-7	AD15.8	G3/8AL-7
SGD-AD15.8+G3/8AL-10	AD15.8	G3/8AL-10
SGD-AD18.5+M20S-9	AD18.5	M20S-9
SGD-AD18.5+M20S-12.5	AD18.5	M20S-12.5
SGD-AD18.5+M20SL-9	AD18.5	M20SL-9
SGD-AD18.5+M20SL-12.5	AD18.5	M20SL-12.5
SGD-AD18.5+PG13.5-9	AD18.5	PG13.5-9
SGD-AD18.5+PG13.5-12.5	AD18.5	PG13.5-12.5
SGD-AD18.5+PG13.5L-9	AD18.5	PG13.5L-9

## E-28 电缆波纹管双固定接头

型号(波纹管內螺纹加对应电缆接头型号) Item.No. (Inner thread quick connector fit cable glands)	波纹管 Accommodated Pipes	适配接头(可选择对应QNE电缆接头) Accommodated QNE Cable Glands
SGD-AD18.5+PG13.5L-12.5	AD18.5	PG13.5L-12.5
SGD-AD18.5+G1/2-9	AD18.5	G1/2-9
SGD-AD18.5+G1/2-12.5	AD18.5	G1/2-12.5
SGD-AD18.5+NPT1/2-9	AD18.5	NPT1/2-9
SGD-AD18.5+NPT1/2-13	AD18.5	NPT1/2-13
SGD-AD18.5+M20AS-9-ST	AD18.5	M20AS-9-ST
SGD-AD18.5+M20AS-12.5-ST	AD18.5	M20AS-12.5-ST
SGD-AD18.5+PG13.5A-8.8	AD18.5	PG13.5A-8.8
SGD-AD18.5+PG13.5A-12.5	AD18.5	PG13.5A-12.5
SGD-AD18.5+PG13.5AL-8.8	AD18.5	PG13.5AL-8.8
SGD-AD18.5+NGGPG13.5AL-12.5	AD18.5	PG13.5AL-12.5
SGD-AD18.5+G1/2AL-11	AD18.5	G1/2AL-11
SGD-AD18.5+G1/2AL-14	AD18.5	G1/2AL-14

型号(波纹管內螺纹加对应电缆接头型号) Item.No. (Inner thread quick connector fit cable glands)	波纹管 Accommodated Pipes	适配接头(可选择对应QNE电缆接头) Accommodated QNE Cable Glands
SGD-AD21.2+M20-11	AD21.2	M20-11
SGD-AD21.2+M20-13.5	AD21.2	M20-13.5
SGD-AD21.2+M20L-11	AD21.2	M20L-11
SGD-AD21.2+M20L-13.5	AD21.2	M20L-13.5
SGD-AD21.2+NGG-M22-11	AD21.2	M22-11
SGD-AD21.2+M22-13.5	AD21.2	M22-13.5
SGD-AD21.2+PG16-11	AD21.2	PG16-11
SGD-AD21.2+PG16-14	AD21.2	PG16-14
SGD-AD21.2+PG16L-11	AD21.2	PG16L-11
SGD-AD21.2+PG16L-14	AD21.2	PG16L-14
SGD-AD21.2+PG19-11	AD21.2	PG19-11
SGD-AD21.2+PG19-14	AD21.2	PG19-14
SGD-AD21.2+M25S-11	AD21.2	M25S-11
SGD-AD21.2+M25S-14	AD21.2	M25S-14
SGD-AD21.2+NCGM20A11-ST	AD21.2	M20A-11-ST
SGD-AD21.2+M20A14-ST	AD21.2	M20A-14-ST
SGD-AD21.2+M20AL-11	AD21.2	M20AL-11
SGD-AD21.2+M20AL14	AD21.2	M20AL-14
SGD-AD21.2+M22A11-ST	AD21.2	M22A-11-ST
SGD-AD21.2+M22A14-ST	AD21.2	M22A-14-ST
SGD-AD21.2+M22AL11-ST	AD21.2	M22AL-11-ST
SGD-AD21.2+M22AL14-ST	AD21.2	M22AL-14-ST
SGD-AD21.2+PG16A-11	AD21.2	PG16A-11
SGD-AD21.2+PG16A-14	AD21.2	PG16A-14
SGD-AD21.2+G1/2AL-11	AD21.2	G1/2AL-11
SGD-AD21.2+G1/2AL-14	AD21.2	G1/2AL-14

## E-28 电缆波纹管双固定接头

型号(波纹管內螺纹加对应电缆接头型号) Item.No. (Inner thread quick connector fit cable glands)	波纹管 Accommodated Pipes	适配接头(可选择对应QNE电缆接头) Accommodated QNE Cable Glands
SGD-AD28.5+M25-13	AD28.5	M25-13
SGD-AD28.5+M25-18	AD28.5	M25-18
SGD-AD28.5+M25L-13	AD28.5	M25L-13
SGD-AD28.5+M25L-18	AD28.5	M25L-18
SGD-AD28.5+PG21-13	AD28.5	PG21-13
SGD-AD28.5+PG21-17.5	AD28.5	PG21-17.5
SGD-AD28.5+PG21L-13	AD28.5	PG21L-13
SGD-AD28.5+PG21L-17.5	AD28.5	PG21L-17.5
SGD-AD28.5+G3/4-13	AD28.5	G3/4-13
SGD-AD28.5+G3/4-17.5	AD28.5	G3/4-17.5
SGD-AD28.5+NPT3/4-13	AD28.5	NPT3/4-13
SGD-AD28.5+NPT3/4-18	AD28.5	NPT3/4-18
SGD-AD28.5+M25A16-ST	AD28.5	M25A-16-ST
SGD-AD28.5+M25A18-ST	AD28.5	M25A-18-ST
SGD-AD28.5+M25AL-16	AD28.5	M25AL-16
SGD-AD28.5+M25AL-18	AD28.5	M25AL-18
SGD-AD28.5+PG21A-16	AD28.5	PG21A-16
SGD-AD28.5+PG21A-18	AD28.5	PG21A-18
SGD-AD28.5+G3/4AL-16	AD28.5	G3/4AL-16
SGD-AD28.5+G3/4AL-18	AD28.5	G3/4AL-18

型号(波纹管內螺纹加对应电缆接头型号) Item.No. (Inner thread quick connect or fit cable glands)	波纹管 Accommodated Pipes	适配接头(可选择对应QNE电缆接头) Accommodated QNE Cable Glands
SGD-AD34.5+M32-17.5	AD34.5	M32-17.5
SGD-AD34.5+M32-25	AD34.5	M32-25
SGD-AD34.5+M36-17.5	AD34.5	M36-17.5
SGD-AD34.5+M36-25	AD34.5	M36-25
SGD-AD34.5+PG29-17.5	AD34.5	PG29-17.5
SGD-AD34.5+PG29-25	AD34.5	PG29-25
SGD-AD34.5+G1-17.5	AD34.5	G1-17.5
SGD-AD34.5+G1-25	AD34.5	G1-25
SGD-AD34.5+NPT1-17.5	AD34.5	NPT1-17.5
SGD-AD34.5+NPT1-25	AD34.5	NPT1-25
SGD-AD34.5+M32A-22	AD34.5	M32A-22
SGD-AD34.5+M32A-25	AD34.5	M32A-25
SGD-AD34.5+PG29A-22	AD34.5	PG29A-22
SGD-AD34.5+PG29A-24	AD34.5	PG29A-24
SGD-AD34.5+G1AL-22	AD34.5	G1AL-22
SGD-AD34.5+G1AL-24	AD34.5	G1AL-24

## E-28 电缆波纹管双固定接头

型号(波纹管內螺纹加对应电缆接头型号) Item.No. (Inner thread quick connectorfit cable glands)	波纹管 Accommodated Pipes	适配接头(可选择对应 QNE电缆接头) Accommodated QNE Cable Glands
SGD-AD42.5+M40-26.5	AD42.5	M40-26.5
SGD-AD42.5+M40-31	AD42.5	M40-31
SGD-AD42.5+PG36-25.5	AD42.5	PG36-25.5
SGD-AD42.5+PG36-31	AD42.5	PG36-31
SGD-AD42.5+G11/4-25.5	AD42.5	G11/4-25.5
SGD-AD42.5+G11/4-31	AD42.5	G11/4-31
SGD-AD42.5+NPT11/4-25.5	AD42.5	NPT11/4-25.5
SGD-AD42.5+NPT11/4-31	AD42.5	NPT11/4-31
SGD-AD42.5+M40A-26	AD42.5	M40A-26
SGD-AD42.5+NGGM40A-31	AD42.5	M40A-31
SGD-AD42.5+PG36A-26	AD42.5	NGG-PG36A-26
SGD-AD42.5+PG36A-31	AD42.5	PG36A-31
SGD-AD42.5+G11/4AL-26	AD42.5	G11/4AL-26
SGD-AD42.5+G11/4AL-31	AD42.5	G11/4AL-31

## E-29 内螺纹波纹管快速接头

螺牙规格: 公制牙 (Metric)、PG牙、G(PF/BSP/PS)牙、NPT牙。

产品材质: 采用UL认可之尼龙PA66(防火等级UL94V-2)制成; (可定制)

工作温度: 静态-40°C至100°C, 或瞬间可耐热至120°C; 动态-20°C至80°C, 或瞬间可耐热至100°C。

产品特性: 特殊夹紧爪与夹紧圈之设计, 夹紧浪管抗压力强, 超快速拔插装卸, 提高安装效率。

颜色种类: 黑色、灰色, 其它颜色可定做。

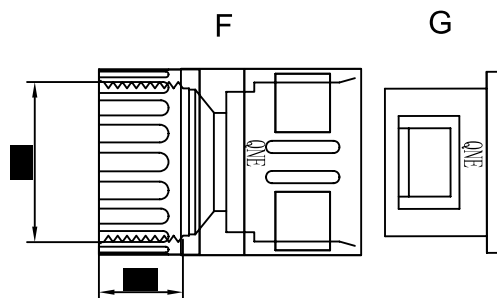
Thread: Metric, PG, G(PF), and NPT thread

Materials: UL approved Nylon PA66(Fiammability UL94V-2), Accept to make

Working temperature: -40°C to 100°C in staticstate, or instantaneous heat resistance up to 120°C; -20°C to 80°C in dynamicstate, or instantaneous heat resistance up to 100°C

Features: the claws of excellent design to provide a fast & safe connection with the tubing and to get an excellent result of the pullout strength to be the best balanced performers for cable protection system.

Colours: Black(RAL9005), gray(RAL7035), other color available upon request



型号 Specification	波纹管 Corrugated Pipe	AG内螺纹 AG Inner Diameter	GL螺纹长度 Thread Length GL C2(mm)
KSNW-AD13-M16	AD13	M16X1.5	16
KSNW-AD15.8-M20	AD15.8	M20X1.5	16
KSNW-AD18.5-M22	AD18.5	M22X1.5	16
KSNW-AD21.2-M25	AD21.2	M25X1.5	17
KSNW-AD28.5-M30	AD28.5	M30X1.5	17

## E-30 耐扭尼龙电缆接头(连体)

螺牙规格: 公制牙 (Metric)、PG牙、G(PF/BSP/PS)牙、NPT牙。

产品材质: A.C.F部分采用UL认可之尼龙PA66(防火等级UL94V-2)制成;  
(可定制UL认可的V-0防火等级尼龙原料); B.D部分采用三元乙丙耐候橡胶制成;  
(可定制耐寒、耐高温橡胶; 耐高酸碱、耐化学与抗腐蚀橡胶)。

保护等级: IP68-10

工作温度: 静态-40°C至100°C, 或瞬间可耐热至120°C; 动态-20°C至80°C, 或瞬间可耐热至100°C。

产品特性: 特殊夹紧爪与夹紧圈之设计, 夹紧电缆范围大, 抗拉力特强, 可防水、防尘、抗盐、耐弱酸、酒精、油、油脂及一般溶剂。  
颜色种类: 黑色、灰色, 其它颜色可定做。

Thread: Metric, PG, G(PF), and NPT thread

Materials: UL approved Nylon PA66(Fiammability UL94V-2) for A. C. F parts,  
(Accept to make fiammability UL 94V-0), EPDM rubber for B. D parts

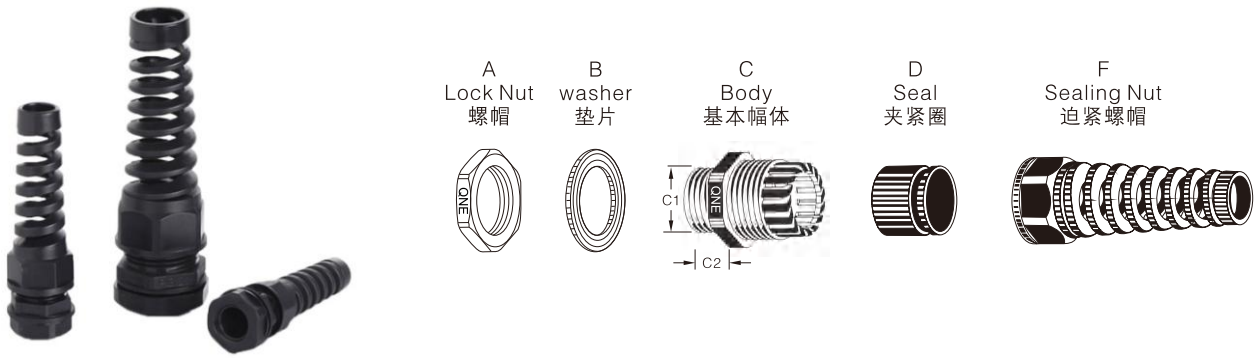
(Accept to make super rubber: Resist high temperature rubber, resist strong acid/alkali, etc)

Protection degree: P68-10Bar

Working temperature: -40°C to 100°C in staticstate, or instantaneous heat resistance up to 120°C; -20°C to 80°C in dynamicstate, or instantaneous heat resistance up to 100°C

Features: the claws and seals of excellent design, sealing nut have a "click" sound and re-open, can hold cable firmly and have a wider cable range. Resistant to salt water, weakacid, alcohol,oil,grease and common solvency

Colours: Black(RAL9005), gray(RAL7035), other color available upon request



螺牙规格 Thread	编号 Item. No.	电缆范围 Cable Range φ (mm)	螺纹外径 Thread O.D. C1 (mm)	螺纹长度 Thread Length C2 (mm)	扳手径 Spanner Size A&F (mm)	包装 Std. Pkg (pcs)
M12x1.5	NNLT-M12S-6	2-6	12	8.5	18/15	50
	NNLT-M12SL-6	2-6	12	15	18/15	50
	NNLT-M12-5	2-5	12	8.5	18/19	50
	NNLT-M12-7	3-7	12	8.5	18/19	50
	NNLT-M12L-5	2-5	12	15	18/19	50
	NNLT-M12L-7	3-7	12	15	18/19	50
M16x1.5	NNLT-M16S-8	3-8	16	10	22/19	50
	NNLT-M16SL-8	3-8	16	15	22/19	50
	NNLT-M16-7	3-7	16	10	22/22	50
	NNLT-M16-10	4-10	16	10	22/22	50
	NNLT-M16L-7	3-7	16	15	22/22	50
	NNLT-M16L-10	4-10	16	15	22/22	50
M18x1.5	NNLT-M18-7	3-7	18	10	24/22	50
	NNLT-M18-10	4-10	18	10	24/22	50
	NNLT-M18L-7	3-7	18	15	24/22	50
	NNLT-M18L-10	4-10	18	15	24/22	50
M20x1.5	NNLT-M20S-9	4-9	20	10	27/24	20
	NNLT-M20S-12.5	6-12.5	20	10	27/24	20
	NNLT-M20SL-9	4-9	20	15	27/24	20
	NNLT-M20SL-12.5	6-12.5	20	15	27/24	20
	NNLT-M20-11	5-11	20	11	27/27	20
	NNLT-M20-13.5	8-13.5	20	11	27/27	20
	NNLT-M20L-11	5-11	20	15	27/27	20
	NNLT-M20L-13.5	8-13.5	20	15	27/27	20

E-30 耐扭尼龙电缆接头(连体)

螺牙规格 Thread	编号 Item. No.	电缆范围 Cable Range φ(mm)	螺纹外径 Thread O.D. C1(mm)	螺纹长度 Thread Length C2(mm)	扳手径 Spanner Size A&F(mm)	包装 Std. Pkg (pcs)
M22x1.5	NNLT-M22-11	5-11	22	11	30/27	20
	NNLT-M22-13.5	8-13.5	22	11	30/27	20
M25x1.5	NNLT-M25S-11	5-11	25	11.6	33/27	20
	NNLT-M25S-13.5	8-13.5	25	11.6	33/27	20
	NNLT-M25-16	8-16	25	11.6	33/33	20
	NNLT-M25-18	10-18	25	11.6	33/33	20
	NNLT-M25L-16	8-16	25	15	33/33	20
	NNLT-M25L-18	10-18	25	15	33/33	20
PG7	NNLT-PG7S-6	2-6	12.5	8	17/15	50
	NNLT-PG7-5	2-5	12.5	8	17/19	50
	NNLT-PG7-7	3-7	12.5	8	17/19	50
PG9	NNLT-PG9-5.5	2-5.5	15.2	8.2	22/19	50
	NNLT-PG9-7.5	3-7.5	15.2	8.2	22/19	50
PG11	NNLT-PG11-7	3-7	18.6	10	24/22	50
	NNLT-PG11-10	4-10	18.6	10	24/22	50
PG13.5	NNLT-PG13.5-9	4-9	20.4	10	27/24	20
	NNLT-PG13.5-12.5	6-12.5	20.4	10	27/24	20
PG16	NNLT-PG16-11	5-11	22.5	10.8	30/27	20
	NNLT-PG16-14	8-14	22.5	10.8	30/27	20
PG19	NNLT-PG19-11	5-11	24	10.8	30/27	20
	NNLT-PG19-14	8-14	24	10.8	30/27	20
PG21	NNLT-PG21-15.5	8-15.5	28.3	12	36/33	20
	NNLT-PG21-17.5	10-18	28.3	12	36/33	20
G(PF)3/8"	NNLT-G3/8-7	3-7	16.7	10	22/22	50
	NNLT-G3/8-10	4-10	16.7	10	22/22	50
G(PF)1/2"	NNLT-G1/2-9	4-9	20.5	10	27/24	20
	NNLT-G1/2-12.5	6-12.5	20.5	10	27/24	20
G(PF)3/4"	NNLT-G3/4-16	8-16	26.4	12	33/27	20
	NNLT-G3/4-18	10-18	26.4	12	33/27	20
NPT3/8"	NNLT-NPT3/8-7	3-7	17	10	22	50
	NNLT-NPT3/8-10	4-10	17	10	22	50
NPT1/2"	NNLT-NPT1/2-9	5-9	24	10	24	20
	NNLT-NPT1/2-13	7-13	24	10	24	20
NPT3/4"	NNLT-NPT3/4-16	8-16	26.5	15	33	20
	NNLT-NPT3/4-18	10-18	26.5	15	33	20

## E-31 耐扭尼龙电缆接头(分体)

螺牙规格: 公制牙 (Metric)、PG牙、G(PF/BSP/PS)牙、NPT牙。

产品材质: A.C.F部分采用UL认可之尼龙PA66(防火等级UL94V-2)制成;  
(可定制UL认可的V-0防火等级尼龙原料); B.D部分采用三元乙丙耐候橡胶制成;  
(可定制耐寒、耐高温橡胶; 耐高酸碱、耐化学与抗腐蚀橡胶)。

保护等级: IP68-10

工作温度: 静态-40°C至100°C, 或瞬间可耐热至120°C; 动态-20°C至80°C, 或瞬间可耐热至100°C。

产品特性: 特殊夹紧爪与夹紧圈之设计, 夹紧电缆范围大, 抗拉力特强, 可防水、防尘、抗盐、耐弱酸、酒精、油、油脂及一般溶剂。  
颜色种类: 黑色、灰色, 其它颜色可定做。

Thread: Metric, PG, G(PF), and NPT thread

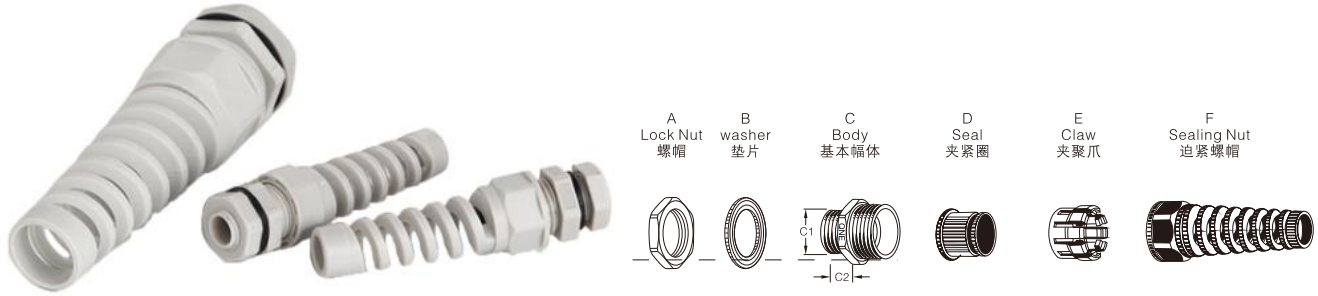
Materials: UL approved Nylon PA66(Fiammability UL94V-2) for A. C. F parts,  
(Accept to make fiammability UL 94V-0), EPDM rubber for B. D parts  
(Accept to make super rubber: Resist high temperature rubber, resist strong acid/alkali, etc)

Protection degree: P68-10Bar

Working temperature: -40°C to 100°C in staticstate, or instantaneous heat resistance up to 120°C; -20°C to 80°C in dynamicstate, or instantaneous heat resistance up to 100°C

Features: the claws and seals of excellent design, sealing nut have a "click" sound and re-open, can hold cable firmly and have a wider cable range. Resistant to salt water, weakacid, alcohol,oil,grease and common solvency

Colours: Black(RAL9005), gray(RAL7035), other color available upon request



螺牙规格 Thread	编号Item.No.	电缆范围 CableRange φ(mm)	螺纹外径 ThreadO.D. C1(mm)	螺纹长度 ThreadLength C2(mm)	扳手径 SpannerSize A&F(mm)	包装 Std.Pkg (pcs)
M12x1.5	NNFT-M12A-5.5	3-5.5	12	8.5	18/19	50
	NNFT-M12A-8	4.5-8	12	8.5	18/19	50
M16x1.5	NNFT-M16AS-5.5-ST	3-5.5	16	10	22/19	50
	NNFT-M16AS-8-ST	4.5-8	16	10	22/19	50
	NNFT-M16A-7-ST	4-7	16	10	22/22	50
	NNFT-M16A-10-ST	6-10	16	10	22/22	50
	NNFT-M16AL-7	4-7	16	15	22/22	50
	NNFT-M16AL-10	6-10	16	15	22/22	50
M20x1.5	NNFT-M20AS-11	4-8.8	20	10	27/24	20
	NNFT-M20AS-14	7-12.5	20	10	27/24	20
	NNFT-M20A-11-ST	7-11	20	10	27/27	20
	NNFT-M20A-14-ST	9-14	20	10	27/27	20
	NNFT-M20AL-11	7-11	20	15	27/27	20
	NNFT-M20AL-14	9-14	20	15	27/27	20
M22x1.5	NNFT-M22A-11-ST	7-11	22	10	29/27	20
	NNFT-M22A-14-ST	9-14	22	10	29/27	20
M25x1.5	NNFT-M25A-16	12-16	25	15	33/33	20
	NNFT-M25A-18	14-18	25	15	33/33	20

## E-31 耐扭尼龙电缆接头(分体)

螺牙规格 Thread	编号Item.No.	电缆范围 CableRange φ(mm)	螺纹外径 ThreadO.D. C1(mm)	螺纹长度 ThreadLength C2(mm)	扳手径 SpannerSize A&F(mm)	包装 Std.Pkg (pcs)
PG7	NNFT-PG7A-5.5	3-5.5	12.5	8	17/19	50
	NNFT-PG7A-8	4.5-8	12.5	8	17/19	50
PG9	NNFT-PG9A-5.5	3-5.5	15.2	8.2	22/19	50
	NNFT-PG9A-8	4.5-8	15.2	8.2	22/19	50
PG11	NNFT-PG11A-7	4-7	18.6	10	24/22	50
	NNFT-PG11A-10	6-10	18.6	10	24/22	50
PG13.5	NNFT-PG13.5A-8.8	4-8.8	20.4	10	27/24	20
	NNFT-PG13.5A-12.5	7-12.5	20.4	10	27/24	20
	NNFT-PG13.5AZ-8.8	7-11	20.4	10	27/27	20
	NNFT-PG13.5AZ-12.5	9-14	20.4	10	27/27	20
PG16	NNFT-PG16A-11	7-11	22.5	10.8	30/27	20
	NNFT-PG16A-14	9-14	22.5	10.8	30/27	20
PG21	NNFT-PG21A-16	10-16	28.3	12	36/33	20
	NNFT-PG21A-18	13-18	28.3	12	36/33	20
G(PF)1/4"	NNFT-G1/4A-5	3-5.5	13.2	8.5	19/19	50
	NNFT-G1/4A-8	4-8	13.2	8.5	19/19	50
G(PF)3/8"	NNFT-G3/8A-7	4-7	16.7	15	22/22	50
	NNFT-G3/8A-10	6-10	16.7	15	22/22	50
G(PF)1/2"	NNFT-G1/2A-9	4-8.8	21	15	27/24	20
	NNFT-G1/2A-12.5	7-12.5	21	15	27/24	20
G(PF)3/4"	NNFT-G3/4A-13	7-13	26.4	15	36/33	20
	NNFT-G3/4A-17.5	12.5-18	26.4	15	36/33	20

## E-32 90°耐扭尼龙电缆接头

螺牙规格: 公制牙(Metric)、PG牙、G(PF/BSP/PS)牙、NPT牙。

产品材质: A、C、F部分采用UL认可之尼龙PA66(防火等级UL94V-2)制成;

(可定制UL认可的V-0防火等级尼龙原料); B、D部分采用三元乙丙耐候橡胶制成;

(可定制耐寒、耐高温橡胶; 耐高酸碱、耐化学与抗腐蚀橡胶)。

保护等级: IP68-10

工作温度: 静态-40°C至100°C, 或瞬间可耐热至120°C; 动态-20°C至80°C, 或瞬间可耐热至100°C。

产品特性: 特殊夹紧爪与夹紧圈之设计, 夹紧电缆范围大, 抗拉力特强, 可防水、防尘、抗盐、耐弱酸、酒精、油、油脂及一般溶剂。

颜色种类: 黑色、灰色, 其它颜色可定做。

Thread: Metric, PG, G(PF), and NPT thread

Materials: UL approved Nylon PA66(Fiammability UL94V-2) for A. C. F parts,

(Accept to make fiammability UL 94V-0), EPDM rubber for B. D parts

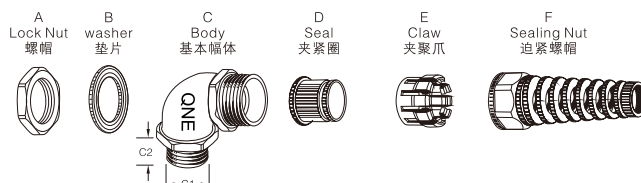
(Accept to make super rubber: Resist high temperature rubber, resist strong acid/alkali, etc)

Protection degree: P68-10Bar

Working temperature: -40°C to 100°C in staticstate, or instantaneous heat resistance up to 120°C; -20°C to 80°C in dynamicstate, or instantaneous heat resistance up to 100°C

Features: the claws and seals of excellent design, sealing nut have a "click" sound and re-open, can hold cable firmly and have a wider cable range. Resistant to salt water, weakacid, alcohol,oil,grease and common solvency

Colours: Black(RAL9005), gray(RAL7035), other color available upon request



## E-32 90°耐扭尼龙电缆接头(分体)

螺牙规格 Thread	编号 Item.No.	电缆范围 Cable Range φ(mm)	螺纹外径 Thread O.D. C1(mm)	螺纹长度 Thread Length C2(mm)	扳手径 Spanner Size A&F(mm)	包装 Std.Pkg (pcs)
M16X1.5	NNFT-M16A-7-ST	4-7	16	10	22/22	10
	NNFT-M16A-10-ST	6-10	16	10	22/22	10
M20X1.5	NNFT-M20A-11	6-11	20	15	27/27	10
	NNFT-M20A-14	9-14	20	15	27/27	10
M25X1.5	NNFT-M25A-16	10-16	25	15	33/33	10
	NNFT-M25A-18	13-18	25	15	33/33	10

## E-33 尼龙螺旋式塞头

产品材质: 尼龙PA66  
 保护等级: IP68  
 工作温度: 静态-40°C至100°C  
 颜色种类: 黑色、灰色, 其它颜色可定做。

Materials: Nylon PA66  
 Protection degree: P68  
 Working temperature: -40°C to 100°C  
 Colours: Black(RAL9005), gray(RAL7035)  
 other color available upon request



型号 Type	螺纹外径 Thread O.D. C1(mm)	螺纹长度 Thread Length C2(mm)	闷盖外径 D (mm)
WKS-PG7	12.5	9.5	16.5
WKS-PG9	15.2	9.5	19.2
WKS-PG11	18.6	10	22.6
WKS-PG13.5	20.4	11	24.4
WKS-PG16	22.5	11	26.5
WKS-PG21	28.3	11	32.3
WKS-PG29	37	12	33
WKS-PG36	47	12	53
WKS-PG42	54	12	60
WKS-PG48	59.3	12	65.3
WKS-M10X1.5	10	9.5	16
WKS-M12X1.5	12	9.5	16
WKS-M16X1.5	16	10	20
WKS-M18X1.5	18	11	22
WKS-M20X1.5	20	11	24
WKS-M22X1.5	22	11	26
WKS-M25X1.5	25	11	29
WKS-M27X1.5	27	11	33
WKS-M32X1.5	32	11	38
WKS-M40X1.5	40	12	46
WKS-M50X1.5	50	12	56
WKS-M63X1.5	63	12	69
WKS-G 1/4	13.1	9.5	17
WKS-G 3/8	16.6	10	21
WKS-G 1/2	20.9	11	25
WKS-G 3/4	26.4	11	31
WKS-G1	33.2	12	37

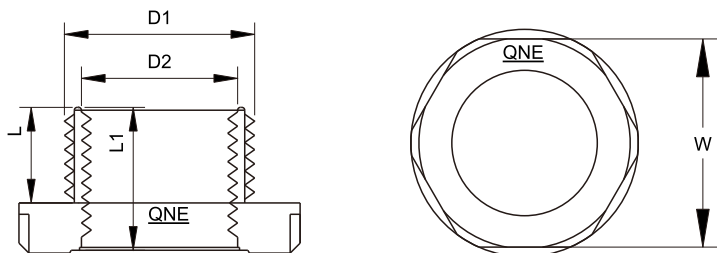
## E-34 塑料变径环

产品材质: UL合格之尼龙66,防火等级94V-2

应用范围: 此产品可将不同的螺纹外径尺寸进行自由转换; 可根据客户要求定制, 生产不同螺纹长度及其他不同螺纹之间的转换

Materials: UL approved Nylon PA66(Flammability UL 94-2)

Application: To allow switching between different thread outside diameter, for example, from large metric external thread to small metric using. We also can make as your request for this product.



型号 ItemNo.	外螺纹规格 铁板孔径 External threa	内螺纹规格D2 固定头尺寸 Internal thread	L螺纹长度 Thread length	L1螺纹长度 Thread length	宽度 W. Across	包装 Packing
GJM16-GJM12	M16X1.5	M12X1.5	8	12	22	100pcs
GJM20-GJM16	M20X1.5	M16X1.5	8	12	24.2	100pcs
GJM25-GJM20	M25X1.5	M20X1.5	10	15	29	100pcs
GJM32-GJM25	M32X1.5	M25X1.5	10	15	35.9	50pcs
GJM40-GJM32	M40X1.5	M32X1.5	10	15	45.8	25pcs
GJM50-GJM40	M50X1.5	M40X1.5	11.5	15	55	25pcs
GJM63-GJM50	M63X1.5	M50X1.5	11.5	16	67.5	25pcs

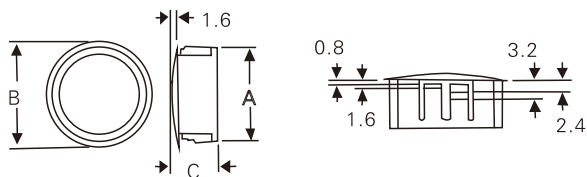
## E-35 扣式塞头

产品材质: UL合格之尼龙66,防火等级94V-2

应用范围: 作为预备孔或者将其多余孔塞平, 保持平面美观。

Materials: UL approved Nylon PA66(Flammability UL 94-2)

Application: It can be used as a preparation hole or the surplus hole can be flattened, Keep the plane beautiful.



型号 Item No.	面板孔径 A	覆盖外径 B	高度 C
KS-5	4.5	6.3	5.9
KS-8	7.8	11.9	8.0
KS-10	9.5	13.0	10.5
KS-13	12.7	16.9	10.5
KS-16	15.9	19.8	10.5
KS-19	19.0	22.9	10.5
KS-22	22.2	25.8	11.3
KS-25	25.0	29.0	11.5
KS-30	30.0	34.2	11.5
KS-38	38.1	42.4	11.2
KS-45	44.5	49.1	11.1

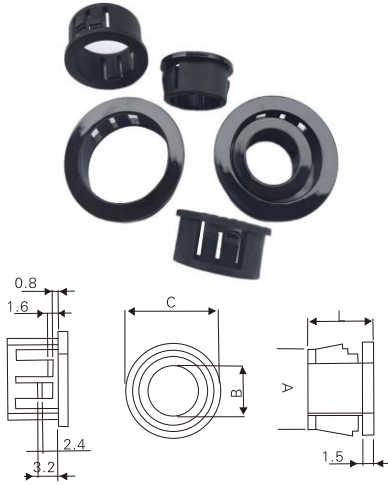
## E-36 扣式护线套

产品材质: UL合格之尼龙66,防火等级94V-2

应用范围: 无需工具,用手轻按压,即可完成装配,可用于0.8mm至3.2mm铁板。

Materials: UL approved Nylon PA66(Flammability UL 94-2)

Application: No need tool, this can be done when you press with your hand, for 0.8mm-3.2mm metal board.



型号 Item No.	铁板孔径 A	最大孔径 B	覆盖 C	高度 L
HX-8	7.8	5.2	9.4	8.0
HX-10	9.5	6.3	12.0	10.5
HX-13	12.7	8.0	14.2	10.5
HX-16	15.9	12.7	18.6	10.5
HX-19	19.0	14.3	21.7	10.5
HX-22	22.2	17.5	24.2	11.3
HX-26	25.5	19.1	28.5	11.5
HX-30	30.0	24.1	33.3	11.5

## E-37 LED光电专用M12

螺牙规格: 公制牙(Metric)

产品材质: C.F部分以黄铜电镀制成; B.E部分以耐高温硅胶制成。

工作温度: 静态-40°C至100°C, 或瞬间可耐热至120°C。(可定制-60°C至220°C)

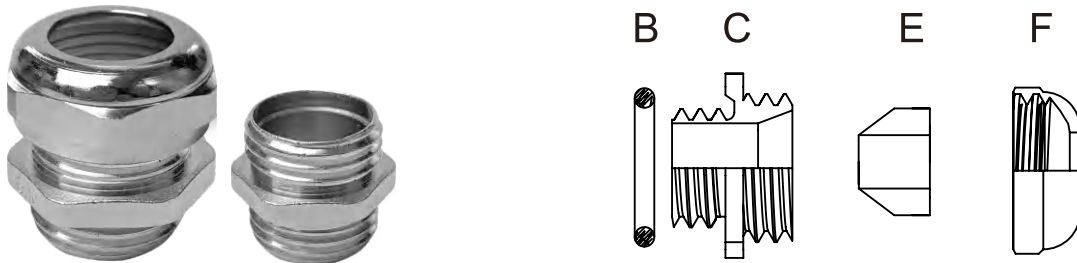
产品特性: 特殊夹紧爪与夹紧圈之设计, 夹紧电缆范围大, 抗拉力特强, 可防水、防尘、抗盐、耐弱酸、酒精、油、油脂及一般溶剂。

Thread: Metric M12

Materials: Brass with nickel plated for C.F parts. Resist high temperature silicon rubber for B. E parts

Working temperature: -40°C to 100°C (accept to make supper rubber, resist high temperature -60°C to 220°C)

Features: the claws and seals of excellent design, sealing nut have a "click" sound and re-open, can hold cable firmly and have a wider cable range. Resistant to salt water, weak acid, alcohol, oil, grease and common solvency.



编号 Item No.	穿线范围 Cable Range φ(mm)	螺纹长度 Thread Length C2(mm)	扳手径 Spanner Size A&F(mm)
M12x1	3-6	6	16
M12x1.25	3-6	6	16
M12x5	3-6	6	16

## E-38 船用填料函

产品材质: 黄铜镀镍, 三元乙丙橡胶。

防水等级: IP54

工作温度: -40°C至100°C。

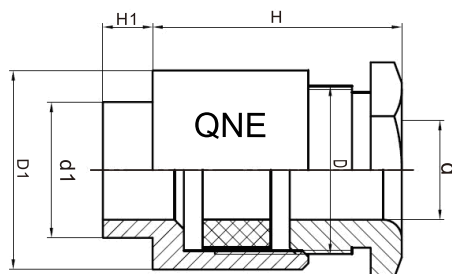
产品特性: 船用填料函广泛用于造船工业, 起到保护电缆的作用。

Materials: Brass with nickel plated, EPDM Rubber.

Protection: IP54

Working temperature: -40°C to 100°C

Application: Stuffing Box joint is especially for the use of ship to protect the cable.



d	D	d1	D1	H	H1	垫圈 Washer	配电缆外径 CableRange
8	WTJ16X1	WTJ14X1	20	-32	10	8X14	5-7
13	WTJ20X1	WTJ18X1	25	-35	11	13X18	6-12
16	WTJ22X1	WTJ22X1	32	-40	11	16X24	11-15
19	WTJ27X1.5	WTJ27X1.5	36	-42	14	19X27	14-18
24	WTJ30X1.5	WTJ30X1.5	42	-44	14	24X33	17-23
28	WTJ36X2	WTJ36X2	48	-46	14	28X38	22-27
34	WTJ42X2	WTJ42X2	54	-49	14	34X44	26-33
42	WTJ52X2	WTJ52X2	62	-54	14	42X52	32-41
50	WTJ58X2	WTJ58X2	70	-56	20	50X59	40-49
58	WTJ68X3	WTJ68X2	78	-56	20	58X67	48-57

## E-39 金属变径环

螺牙规格: 公制牙 (Metric)、PG牙、G(PF/BSP/PS)牙、NPT牙。

产品材质: 以黄铜镀镍制成。

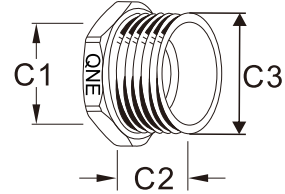
产品特性: 产品可将不同的螺纹外径尺寸进行自由转换; 可根据客户要求定制, 产生不同螺纹长度及其他不同螺纹之间转换。

Thread: Metric, PG, G(PF), and NPT thread

Materials: Brass with nickel plated.

Protection degree: P66

Features: To allow switching between different thread outside diameter. For example, from large metric external thread to small metric using. We also can make as your request for this product.



型号 Item No.	螺牙规格 Thread		螺纹长度 ThreadLength C2(mm)	总长度 Total length (mm)	扳手径 Spanner Size A&F(mm)	包装 Std.Pkg (pcs)
	外螺纹 External thread C3	内螺纹 Internal thread C1				
JSBJM1612	M16X1.5	M12X1.5	6.0	8.5	18	10
JSBJM2016	M20X1.5	M16X1.5	6.5	9.0	22	10
JSBJM2520	M25X1.5	M20X1.5	7.0	10.0	30	10
JSBJM3225	M32X1.5	M25X1.5	8.0	11.5	40	10
JSBJM4032	M40X1.5	M32X1.5	9.0	12.5	50	10
JSBJM5040	M50X1.5	M40X1.5	10.0	14.0	59	10
JSBJM6350	M63X1.5	M50X1.5	10.0	14.0	67	10

## E-40 筒式金属软管接头

螺牙规格: 公制牙 (Metric)、PG牙、G(PF/BSP/PS)牙、NPT牙。

产品材质: 黄铜镀镍

保护等级: IP54

工作温度: -40°C至100°C

应用: 连接金属软管, 起到防水保护线缆的作用。

Thread: Metric, PG, G(PF), and NPT thread

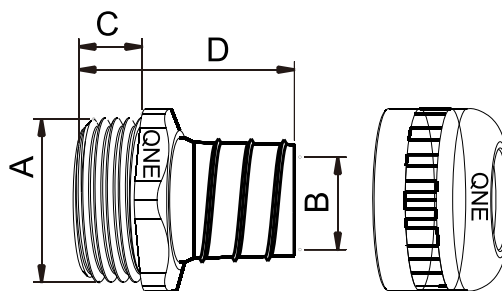
Materials: Brass with nickle plated

Protection degree: IP54

Working temperature: -40°C to 100°C

Application: Connect metal flexible conduit fitting to protect cables and waterproof.

E-40 筒式金属软管接头



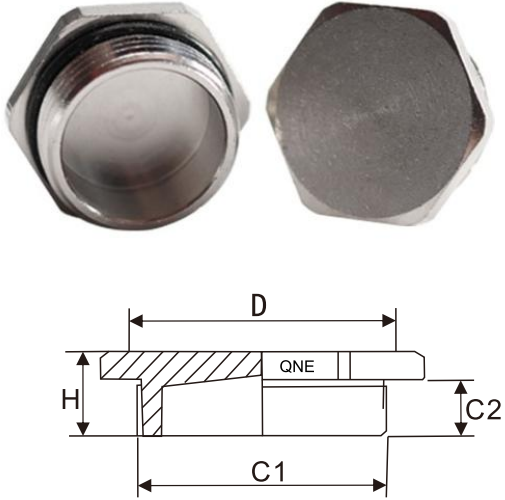
E

型号 Item No.	螺纹外径 Outer Diameter (A) mm	最小通径 Inner Diameter (B) mm	长度 Thread Length(C) mm	结合长度 Total Length(D)m	扳手径Spanner size	
					扳手径 Size	Inch 英寸 mm 毫米
JTM16X1.5	16	10.8	10	24	19	3/8 12
JTM20X1.5	20	14.8	10	24.5	24	1/2 16
JTM25X1.5	25	18.8	12	28	30	3/4 20
JTM32X1.5	32	25.8	13	29	36	1 25
JTM40X1.5	40	33.8	15	31.5	46	1-1/4 32
JTM50X1.5	50	41.8	15	33	55	1-1/2 38
JTPG11	18.6	10.8	10	30.3	19	3/8 12
JTPG16	22.5	14.8	10	24.5	24	1/2 16
JTPG21	28.3	18.8	12	28	30	3/4 20
JTPG29	37	25.8	13	29	36	1 25
JTPG36	47	33.8	15	31.5	46	1-1/4 32
JTPG42	54	41.8	15	33	55	1-1/2 38
JTNPT3/8"	16.6	10.8	10	30.3	19	3/8 12
JTNPT1/2"	20.9	14.8	10	24.5	24	1/2 16
JTNPT3/4"	26.4	18.8	12	28	30	3/4 20
JTNPT1"	33.2	25.8	13	29	36	1 25
JTNPT11/4"	41.9	33.8	15	31.5	46	1-1/4 32
JTNPT11/2"	48	41.8	15	33	55	1-1/2 38
JTG(PF)3/8"	16.6	10.8	10	30.3	19	3/8 12
JTG(PF)1/2"	20.9	14.8	10	24.5	24	1/2 16
JTG(PF)3/4"	26.4	18.8	12	28	30	3/4 20
JTG(PF)1"	33.2	25.8	13	29	36	1 25
JTG(PF)11/4"	41.9	33.8	15	31.5	46	1-1/4 32
JTG(PF)11/2"	48	41.8	15	33	55	1-1/2 38

### E-41 六角黄铜堵盖

产品材质：黄铜镀镍，三元乙丙橡胶。  
防水等级：IP54, IP66  
工作温度：-40°C至100°C。

Materials: Brass with nickel plated, EPDM Rubber.  
Protection: IP54, IP66  
Working temperature: -40°C to 100°C

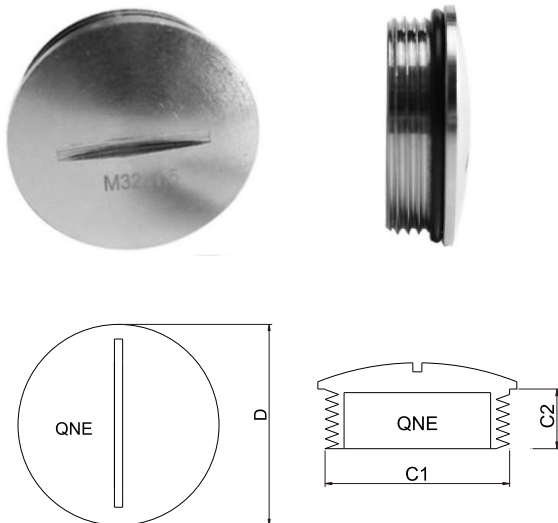


型号 ItemNo.	螺纹外径 Thread O.D. C1(mm)	螺纹长度 Thread Length C2(mm)	闷盖外径 D (mm)
GSPG7	12.5	5	14
GSPG9	15.2	6	17
GSPG11	18.6	6	20
GSPG13.5	20.4	6.5	22
GSPG16	22.5	6.5	24
GSPG21	28.3	7	30
GSPG29	37	8	39
GSPG36	47	9	50
GSPG42	54	10	57
GSPG48	59.3	10	64
GSM12	12	5	14
GSM16	16	6	17
GSM18	18	6	20
GSM20	20	6.5	22
GSM22	22	6.5	24
GSM25	25	6.5	27
GSM32	32	7	35
GSM40	40	8	43
GSM50	50	9	55
GSM63	63	10	66

### E-42 圆形黄铜堵盖

产品材质：黄铜镀镍，三元乙丙橡胶。  
防水等级：IP54, IP66  
工作温度：-40°C至100°C。

Materials: Brass with nickel plated, EPDM Rubber.  
Protection: IP54, IP66  
Working temperature: -40°C to 100°C

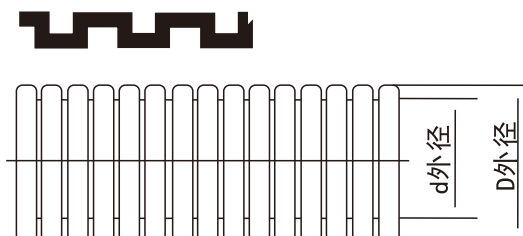


型号 Item No.	螺纹外径 Thread O.D. C1(mm)	螺纹长度 Thread Length C2(mm)	闷盖外径 D (mm)
GOPG7	12.5	5	14
GOPG9	15.2	6	17
GOPG11	18.6	6	20
GOPG13.5	20.4	6.5	22
GOPG16	22.5	6.5	24
GOPG21	28.3	7	30
GOPG29	37	8	39
GOPG36	47	9	50
GOPG42	54	10	57
GOPG48	59.3	10	64
GOM12	12	5	14
GOM16	16	6	17
GOM18	18	6	20
GOM20	20	6.5	22
GOM22	22	6.5	24
GOM25	25	6.5	27
GOM32	32	7	35
GOM40	40	8	43
GOM50	50	9	55
GOM63	63	10	66

## E-43 PE 透明软管

产品材质: PE  
 颜色种类: 透明  
 工作温度: C-5°C ~50°C  
 使用方式: 先将电线穿入管内, 再配合蛇管固定头使用即可。  
 用途: 保护电线及绝缘、防水用, 并可增进电线弯曲的美观。

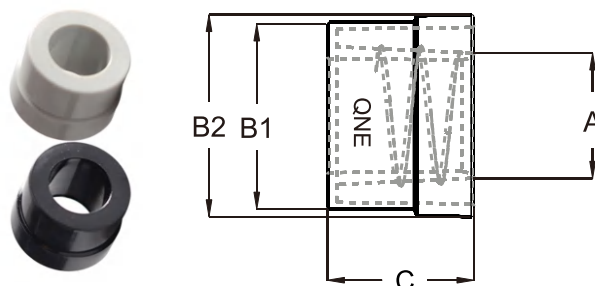
Material: PE  
 Colors: transparent  
 Working Temperature: -5°C~50°C  
 Using Method: Inserting the wire or cable into the conduit and the equipped with the metal flexible connector.  
 Application: Protect the cable, Waterproof.



型号 Item No.	产品名称 Product Name	直径 (mm) Diameter	长度 (mm) Length	包装量 Std.Pkg
TMG-18	透明软管	18	350	900
TMG-25	透明软管	25	350	500
TMG-32	透明软管	32	350	320
TMG-40	透明软管	40	350	260
TMG-50	透明软管	50	350	170

## E-44 金属软管尾端护套

产品材质: 采用UL认可之尼龙 PA66  
 产品颜色: 黑色, 灰色  
 应用: 固定金属软管、保护蛇管尾端电缆出线不受磨损及避免作业员受伤。  
 Materials: UL approved Halogen-Free Nylon PA66 flammability UL94V-2  
 Color: Black(RAL9005), Grey(RAL7035), other color available upon request.  
 Application: The nylon ferrules are designed to protect cables from contacting the sharp edged conduit.



型号 Item No.	适用软管规格 For Conduit Size	尺寸 Dimensions(mm)			
		A	B1	B2	C
JSMD-NF5/16	5/16"	9.2	20	20.5	20
JSMD-NF3/8	3/8"	10.8	20	20.5	21
JSMD-NF1/2	1/2"	14.2	25	26	24
JSMD-NF3/4	3/4"	18	30.5	31.5	26
JSMD-NF1	1"	23.5	36	38	31
JSMD-NF11/4	1 1/4"	32.5	45	40	33
JSMD-NF11/2	1 1/2"	37	52	53	36
JSMD-NF2	2"	49	64.5	65	35



线槽 | 智能照明灯 | 冷压端子 | 端子台 | 导轨 | 管件接头 | 地零排 | 绝缘母线夹 | 拖链 | 结束带  
 编织网管 | 热缩管 | Pu气管 | 扣件保护 | 标识类 | 航空插头 | 重载连接器 | 工具系列 | 风机系列

Wenbuluo

江苏稳不落配线器材有限公司  
 Wenbuluo Electrical Co., Ltd

☎ 0512-36602880

🌐 [www.wenbuluo.com](http://www.wenbuluo.com) [www.wenbuluo.cn](http://www.wenbuluo.cn)

📍 江苏省苏州市昆山市开发区熊庄路25号